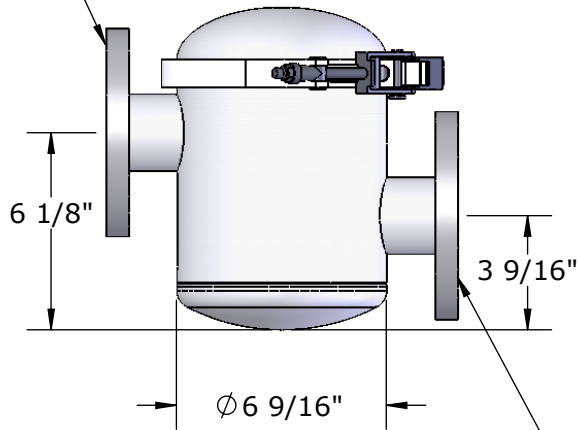
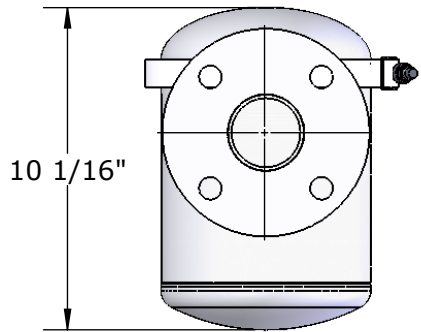
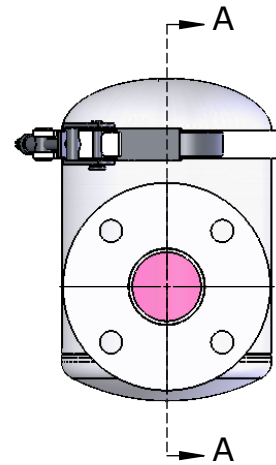


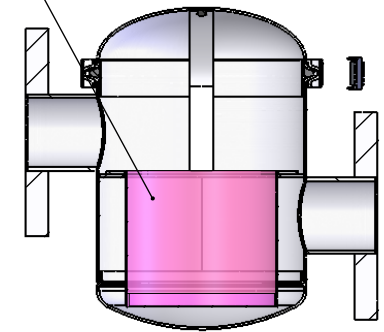
50mm, INLET  
(2") DIN2576  
PN16 - Flange



50mm, OUTLET  
(2") DIN2576  
PN16 - Flange



316 Marine Screen  
Approx. 75 Sq In  
1/16" Perf



SECTION A-A

**PRODUCT SPECIFICATION**

**MILLER-LEAMAN INC.**

800 Orange Ave. Daytona Beach FL 32114

DRAWN	L.Brannan	5/1/09
CHECKED		
ENG APPR.		
MKT APPR.		

SHEET 1 OF 1

TITLE

**Basket SeaStrainer**  
 **$\phi$  6-5/8" Housing**  
**MOD6**