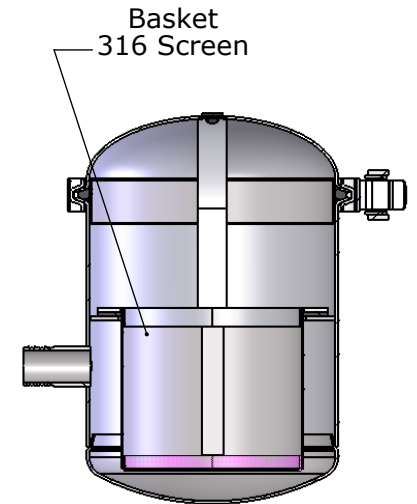
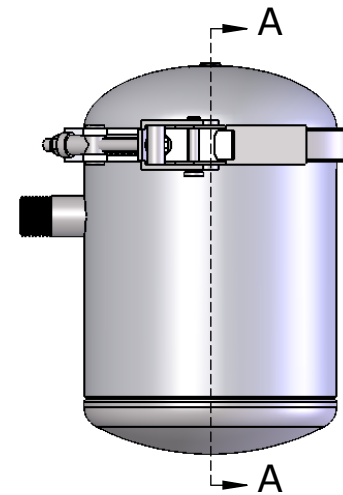
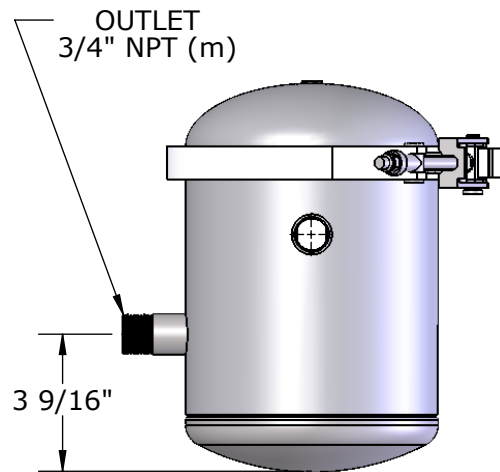
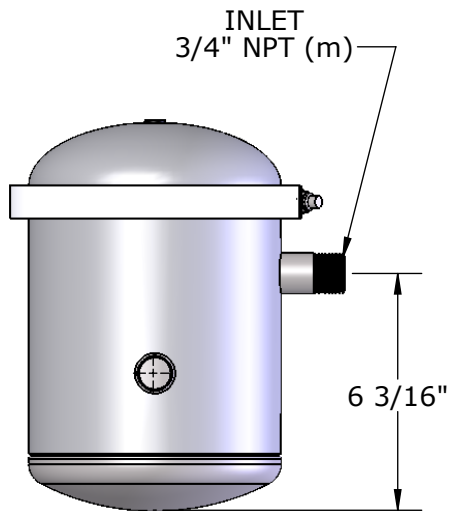


SPECIFICATIONS:

Max Flow: 12 GPM
 Max Pressure: 125 PSI
 Basket Surface Area: Approx 75 Sq In.
 Screen: 120 Mesh (24x110 Heavy Duty) (316 Stainless)
 Housing Materials: 304 Stainless
 Clamp: 301, 302 or 304 Stainless
 Dry Weight: 8.2 lbs



SECTION A-A

PRODUCT SPECIFICATION

MILLER LEAMAN INC

800 Orange Ave. Daytona Beach FL 32114

DRAWN	L. Brannan	8/25/09
CHECKED		
ENG APPR.		
MKT APPR.		
SHEET 1 OF 1	Ref: ML20516-MOD8	Rev: B

TITLE:
 Basket SeaStrainer
 Ø 6-5/8" Housing
 MOD8