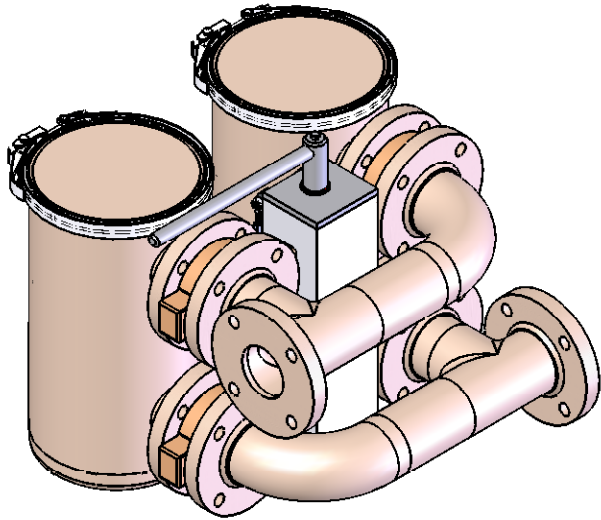
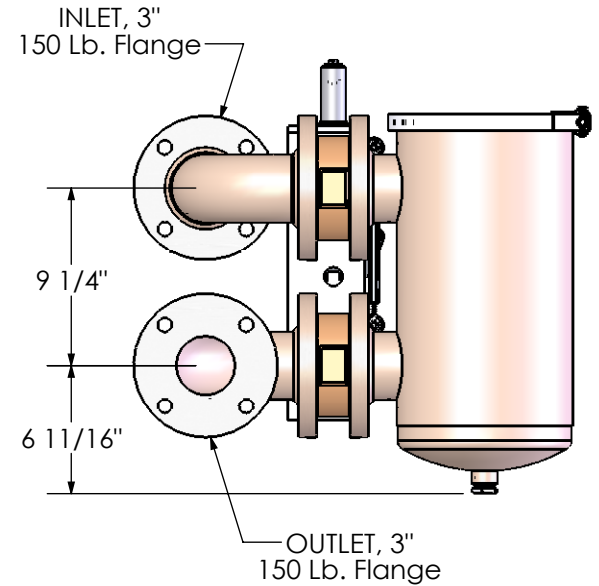
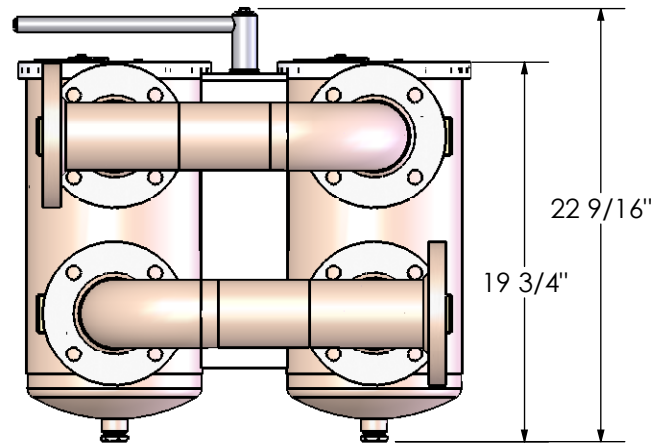
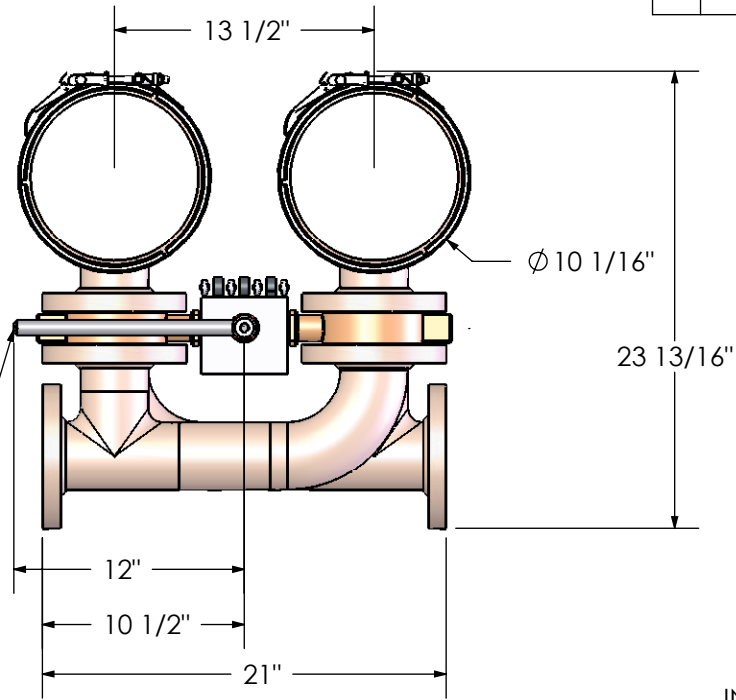


REVISIONS			
REV.	DESCRIPTION	DATE	APPROVED



Valve Lever
(180° swing required)



PRODUCT SPECIFICATION MILLER-LEAMAN INC. 800 Orange Ave. Daytona Beach FL 32114	DRAWN	J. Larsen	3/20/09
	CHECKED		
	ENG APPR.		
	MKT APPR.		
	SHEET 1 OF 1		

3" Duplex Basket Strainer
ML21184-A
(Port)