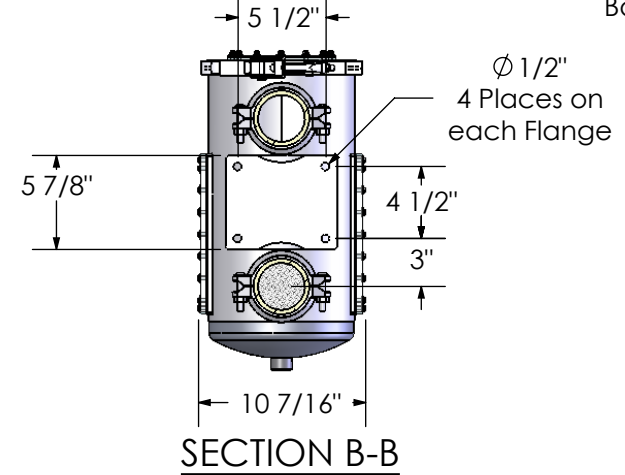
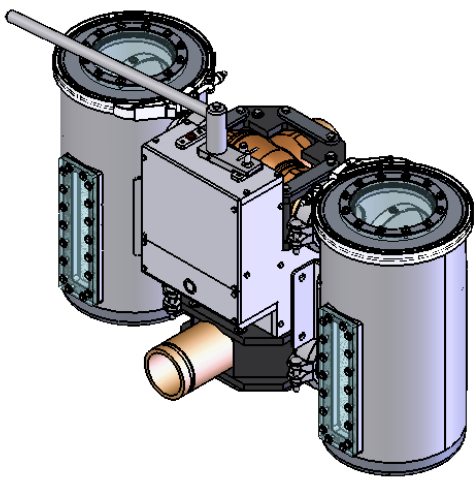
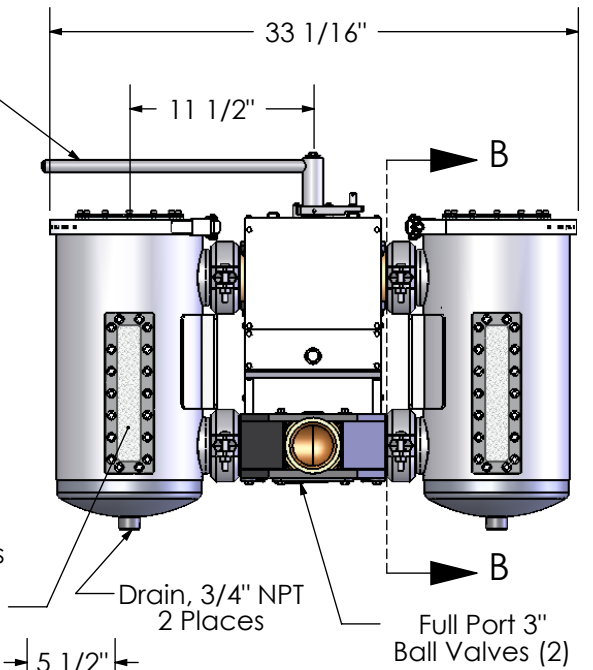
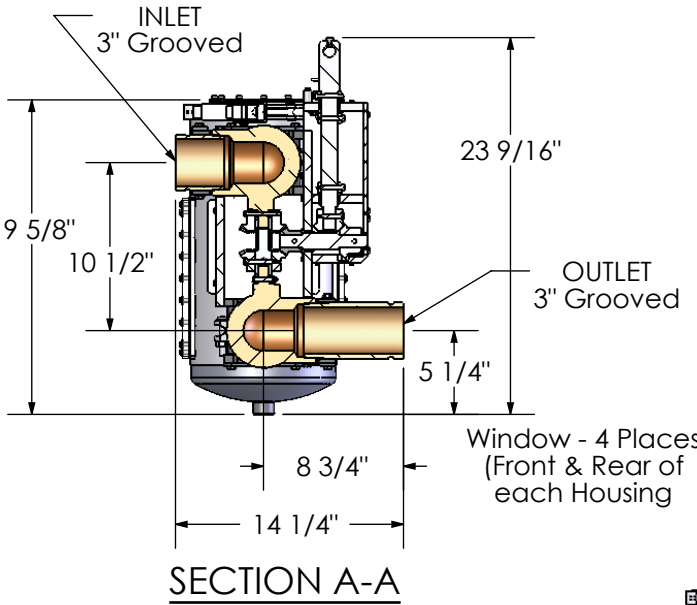
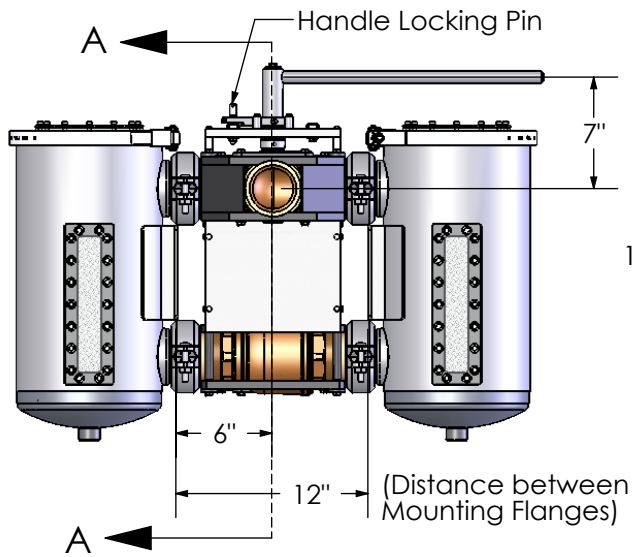


REVISIONS			
REV.	DESCRIPTION	DATE	APPROVED
A	Actuator redesigned	6/8/07	JRL
B	6-1/4" was 5-1/8", 22-13/16" was 21-11/16"	6/11/07	JRL
C	33-1/16" was 32-1/8", 11" was 9-15/16"	7/24/07	JRL
D	7" was 6-1/4", 8-1/2" added, locking pin added.	7/31/07	JRL
E	8-3/4" was 5-1/2", 14-1/4" was 11"	8/22/07	JRL
F	Part number added to drawing.	8/29/07	JRL
G	23-9/16" was 23-13/16", 5-1/4" was 5-1/2", 19-5/8" was 19-7/8", Handle lock arm relocated.	10/3/07	JRL



PRODUCT SPECIFICATION
MILLER-LEAMAN INC.
 800 Orange Ave. Daytona Beach FL 32114

DRAWN	J. Larsen	5/31/07
CHECKED		
ENG APPR.		
MKT APPR.		
SHEET 1 OF 1		

TITLE	RBM-203976, Seawater Cooling System Strainer	
PART NO.	ML20750	REV. G