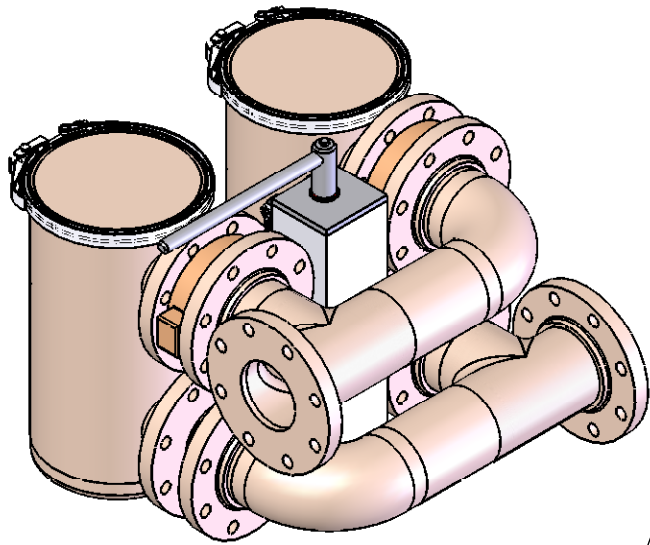
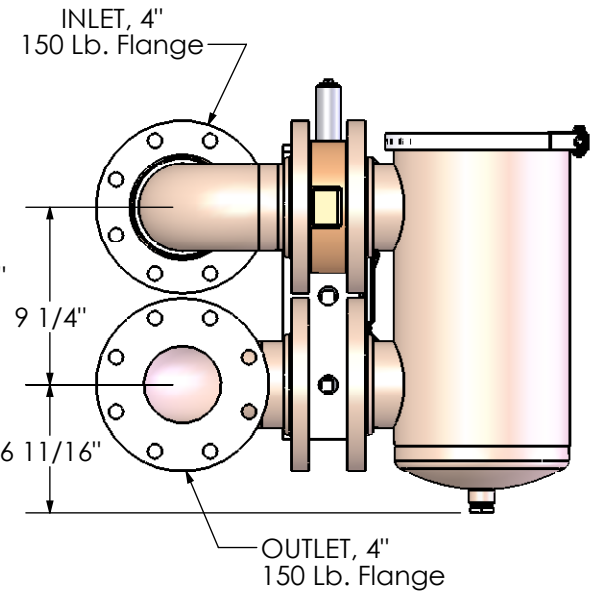
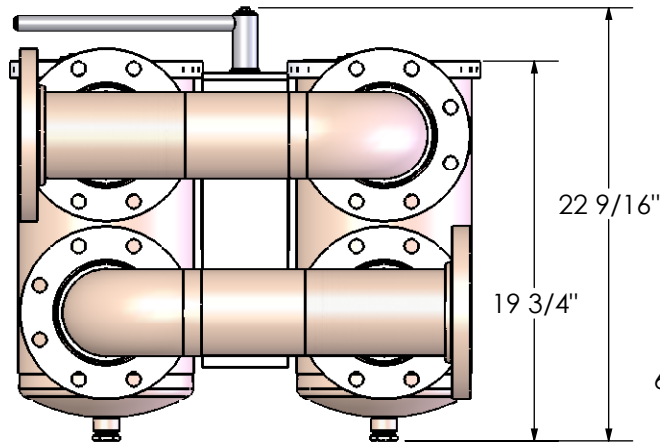
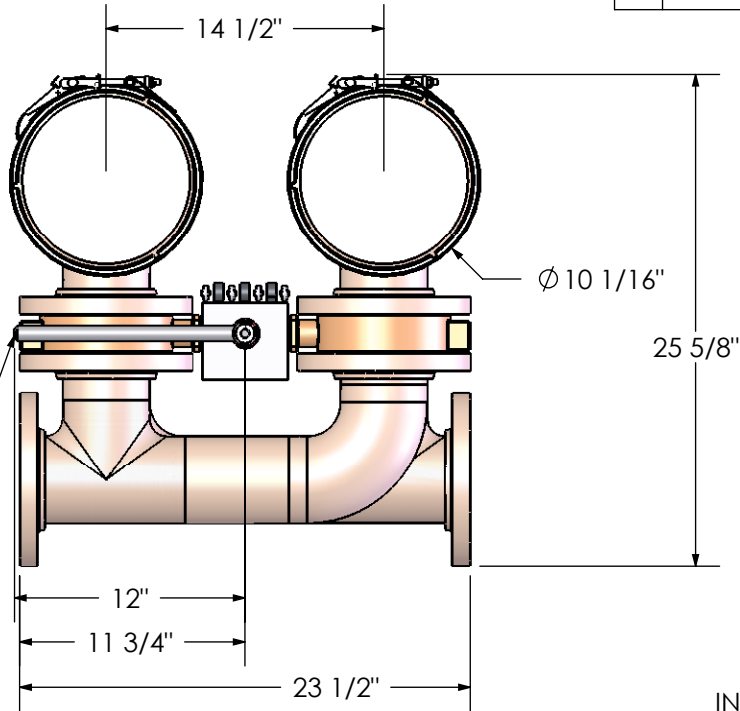


| REVISIONS | | | |
|-----------|-------------|------|----------|
| REV. | DESCRIPTION | DATE | APPROVED |
| | | | |
| | | | |



Valve Lever
(180° swing required)



| | | | | |
|---------------------------------------------------------------------------------------------------------|--------------|-----------|---------|----------------------------------------------------|
| PRODUCT SPECIFICATION MILLER-LEAMAN INC. 800 Orange Ave. Daytona Beach FL 32114 | DRAWN | J. Larsen | 4/23/09 | TITLE |
| | CHECKED | | | 4" Duplex Basket Strainer ML21187 |
| | ENG APPR. | | | |
| | MKT APPR. | | | |
| | SHEET 1 OF 1 | | | |