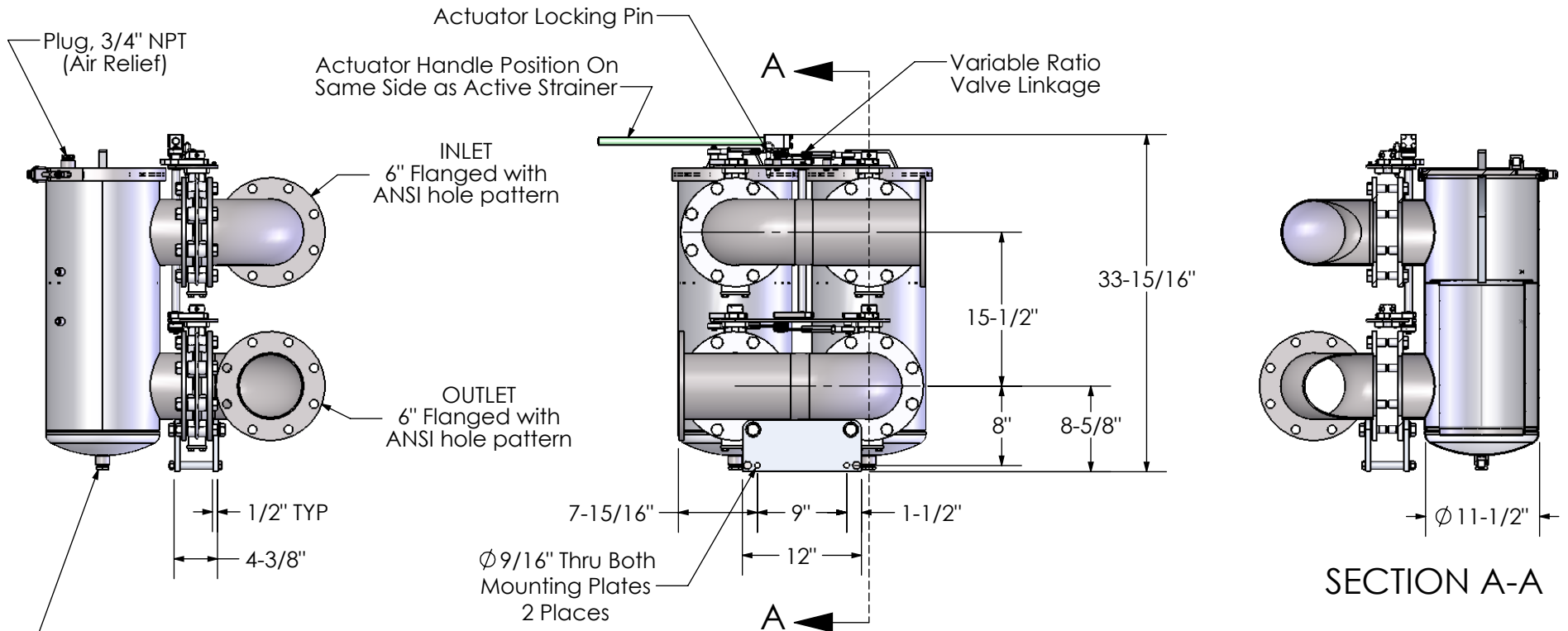


GENERAL SPECIFICATIONS

- Maximum Flow: 425 GPM
- Design Pressure: 50 PSI
- Pressure Loss: Approximately 1 PSI (Clean)
- Basket Surface Area: 436 Sq. In.
- Basket Open Area: 200 Sq In.
- Basket Open Area to Inlet Area Ratio = 7:1
- Basket Perforation Size: 5/64"
- Materials: 316L Stainless Steel
- Dry Weight: Approx: 400 Lb.

Approval: _____

Approval: _____



SECTION A-A

PRODUCT SPECIFICATION MILLER-LEAMAN INC. 800 Orange Ave. Daytona Beach FL 32114	DRAWN	J. Larsen	9/27/11	TITLE 6" Duplex Basket Strainer, Starboard (ML21465-B)
	CHECKED			
	ENG APPR.			
	MKT APPR.			
SHEET 1 OF 1	Ref: ML21465-B		Rev. B	