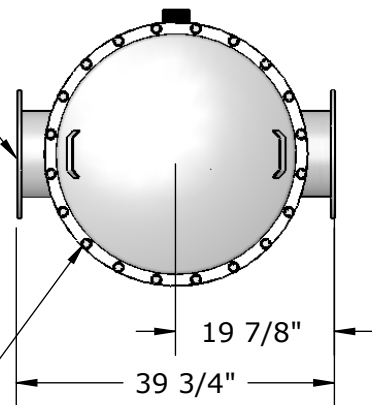


Serial Number Location



5/8-11 Grade 5 Bolts/Nuts & USS High Strength Washers Zinc Plated Steel

GENERAL SPECIFICATIONS:

- Maximum Flow: 2000 GPM (No minimum flow requirement)
- Maximum Pressure: 150 PSI
- Maximum Temperature: 135° F
- Screen Surface Area 2434 Sq. In.

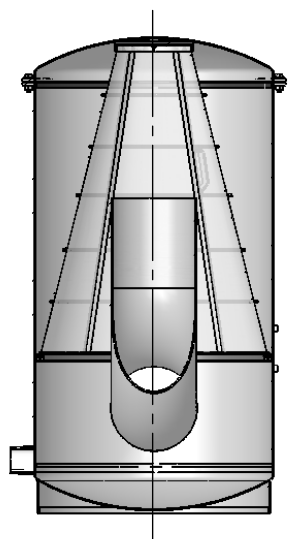
MATERIALS:

- Housing: 304 Stainless standard (316 Stainless optional)
- Gasket: EPDM standard (other compounds available)
- Screen Mesh: 304 Stainless - 1/16" perforated screen.

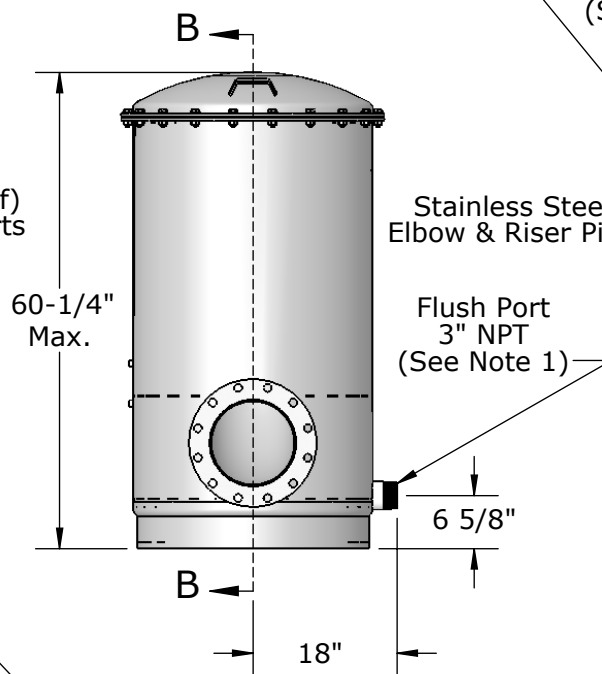
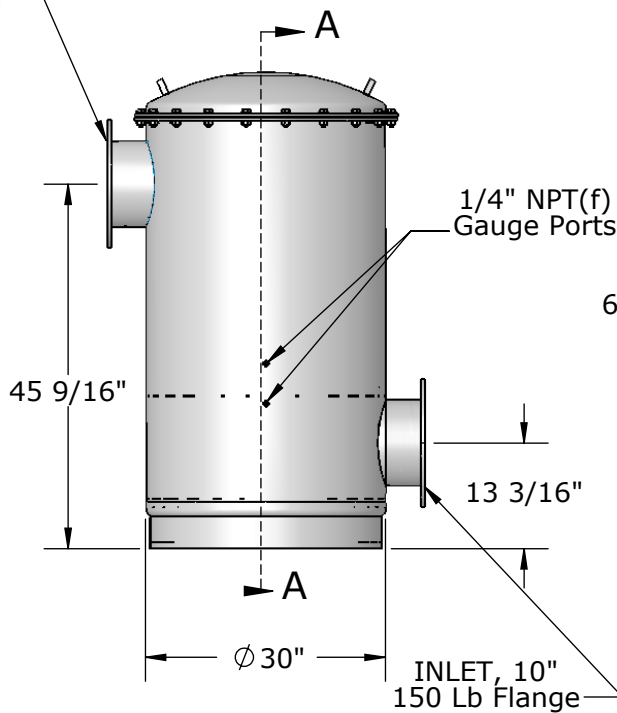
NOTES:

- 1- Flush Port is available in larger sizes. Bottom Flush Port is also available.
- 2- Dimensions are for informational purposes only and are subject to change.
- 3- 96" Min required overall height for filter element removal.

OUTLET, 10" 150 Lb Flange



SECTION A-A



SECTION B-B

PRODUCT SPECIFICATION

MILLER-LEAMAN INC.

800 Orange Ave. Daytona Beach FL 32114

DRAWN	L.Brannan	9/16/08
CHECKED		
ENG APPR.		
MKT APPR.		
SHEET 1 OF 1		

TITLE

Thompson Filter
MLI-10-MOD16