

**GENERAL SPECIFICATIONS:**

- Maximum Pressure: 125 PSI (Higher pressure models available).
- Not Designed for Suction / Vacuum.
- Screen Surface Area 200 Sq. In.
- Dry Weight: 30 lbs.
- Wet Weight: 60 lbs / Volume: 3.3 gal.
- Maximum Temperature: **135° F.**  
(Consult Factory for higher temperature applications).

**MATERIALS:**

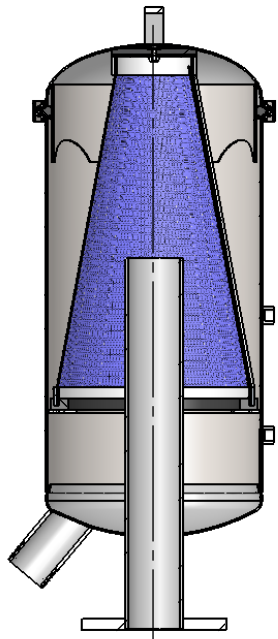
- Housing: 304 Stainless standard (316 Stainless optional).
- Gasket: EPDM standard (other compounds available).
- Screen Mesh: 316 Stainless (1/4" perforated sheet backup).

**SCREEN OPTIONS:**

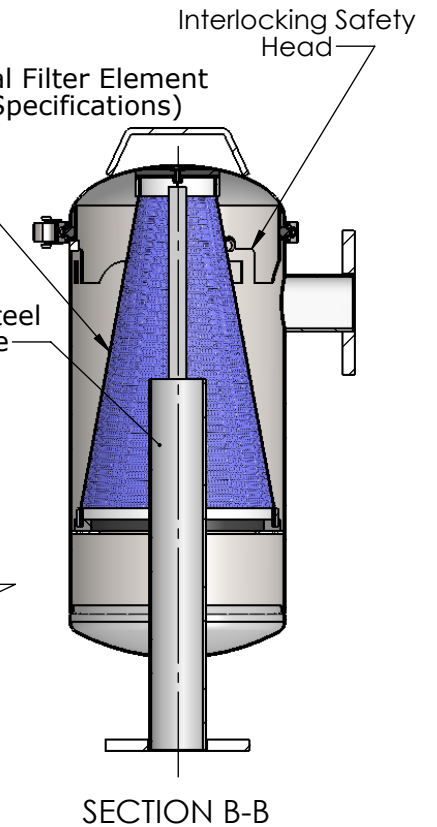
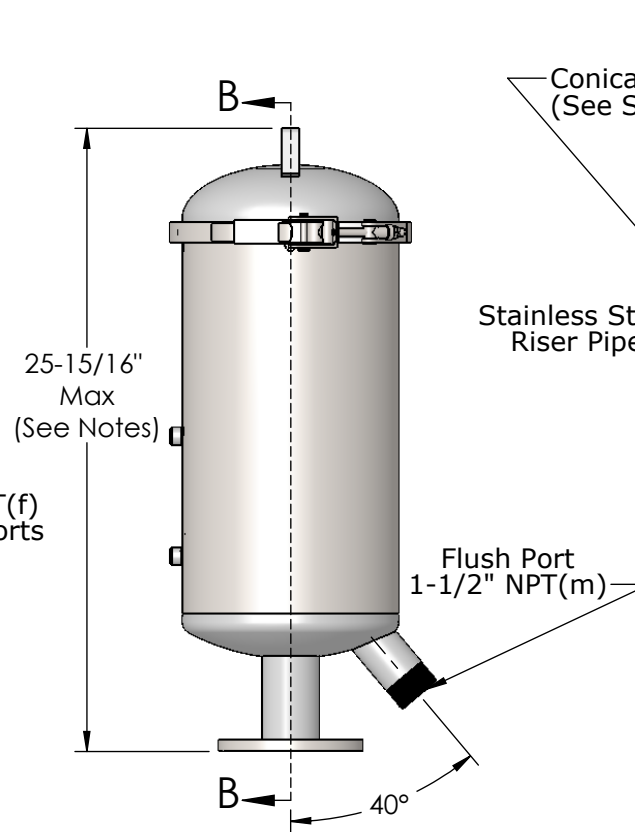
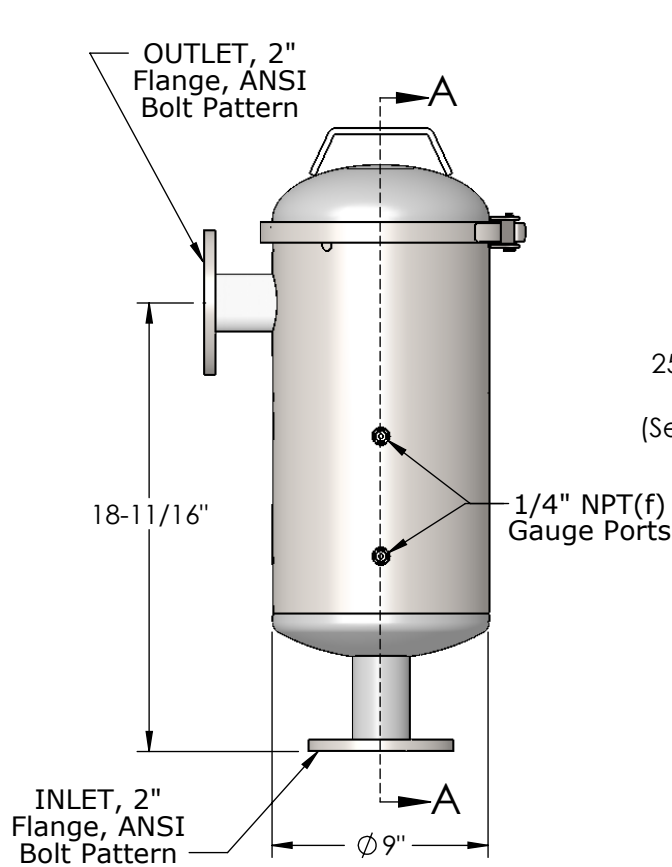
- Multiple screen mesh and perforated sheet sizes available.  
(See product catalog for samples).

**NOTES:**

- 1- Flush Port is available in larger sizes.
- 2- Dimensions are for informational purposes only and are subject to change.
- 3- 38" Overall height is required for filter element removal.



SECTION A-A



SECTION B-B

<p><b>PRODUCT SPECIFICATION</b></p> <p><b>MILLER LEAMAN</b> INC</p> <p>800 Orange Avenue, Daytona Beach, FL 32114</p>	DRAWN	L.Brannan	8/23/12	<p>TITLE</p> <p><b>Thompson Filter</b></p> <p><b>MLI-3-MOD37</b></p>
	CHECKED			
	ENG APPR.			
	REVISION			
	MLI FILE #	ML20450-MOD37	Rev --	