

**GENERAL SPECIFICATIONS:**

- Maximum Flow: 100 GPM (No minimum flow requirement)
- Maximum Pressure: 125 PSI
- Maximum Temperature: 135° F
- Screen Surface Area 367 Sq. In.

**MATERIALS:**

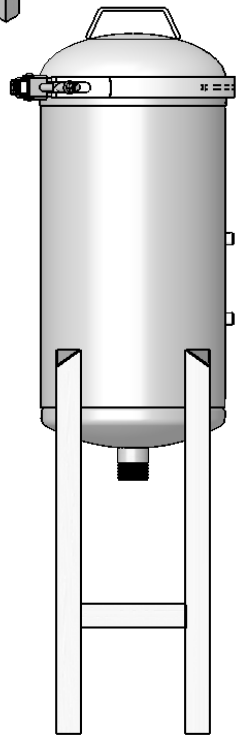
- Housing: 316 Stainless
- Gaskets: Viton
- Screen: 80 Mesh, 316 Stainless (1/4" perforated sheet backup)
- Clamp: 301,302, or 304 Stainless

**SCREEN OPTIONS:**

- Multiple screen mesh and perforated sheet sizes available. (See product catalog for samples)

**NOTES:**

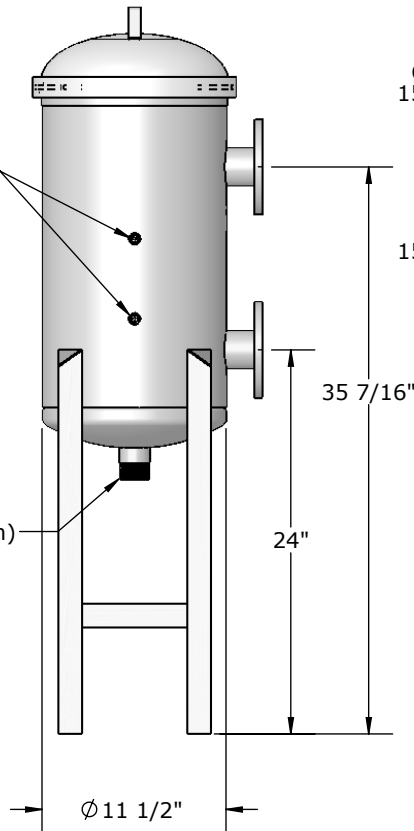
- 1- Dimensions are for informational purposes only and are subject to change.
- 2- 59" overall height is required for filter element removal.



1/4" NPT(f)  
Gauge Ports

1-1/2" NPT (m)

Ø 1/2"-13  
Threaded  
(4 Places)



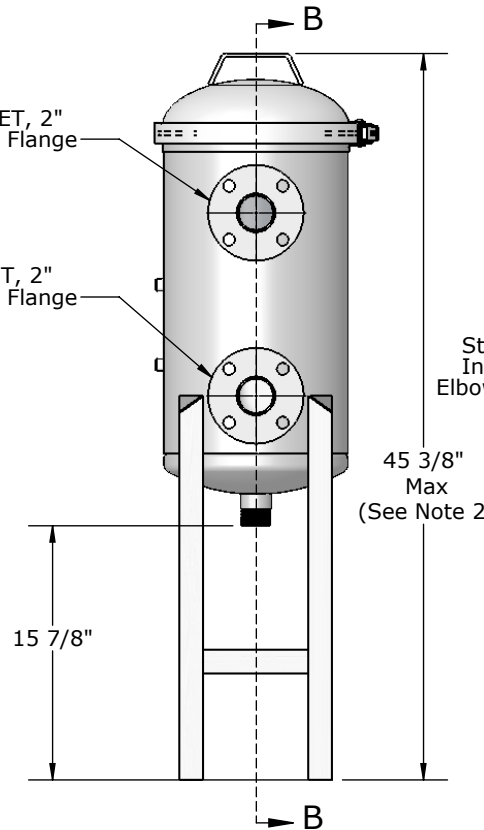
35 7/16"

24"

Ø 11 1/2"

OUTLET, 2"  
150 Lb Flange

INLET, 2"  
150 Lb Flange

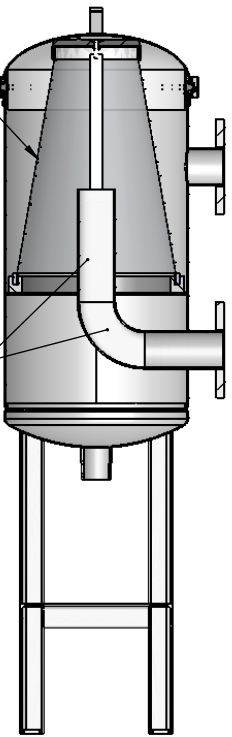


15 7/8"

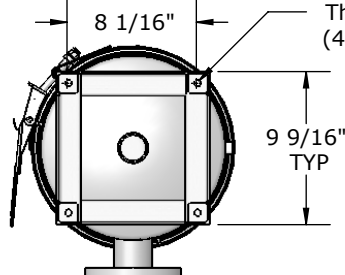
45 3/8"  
Max  
(See Note 2)

Conical Filter Element  
(See Specifications)

Stainless  
Internals  
Elbow & Riser  
Pipe



SECTION B-B  
SCALE 1 : 12



8 1/16"

9 9/16"  
TYP

**PRODUCT SPECIFICATION**

**MILLER-LEAMAN INC.**

800 Orange Ave. Daytona Beach FL 32114

DRAWN	L.Brannan	9/26/08
CHECKED		
ENG APPR.		
MKT APPR.		

SHEET 1 OF 1

TITLE

**TYPE-316  
Thompson Filter  
MLI-4C-T316-MOD30**