

GENERAL SPECIFICATIONS:

- Maximum Flow: 350 GPM (No minimum flow requirement)
- Maximum Pressure: 150 PSI
- Maximum Temperature: 135° F
- Screen Surface Area 745 Sq. In.

MATERIALS:

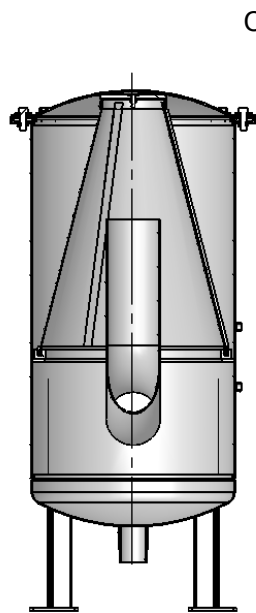
- Housing: 304 Stainless standard (316 Stainless optional)
- Gasket: EPDM standard (other compounds available)
- Screen Mesh: 316 Stainless (1/4" perforated sheet backup)

SCREEN OPTIONS:

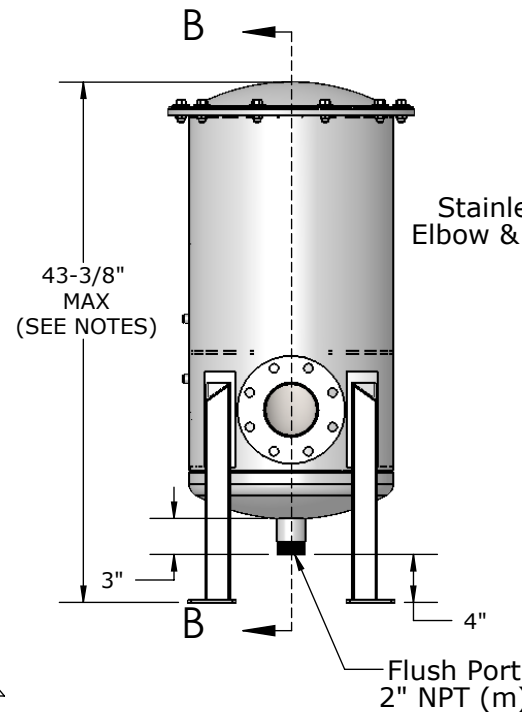
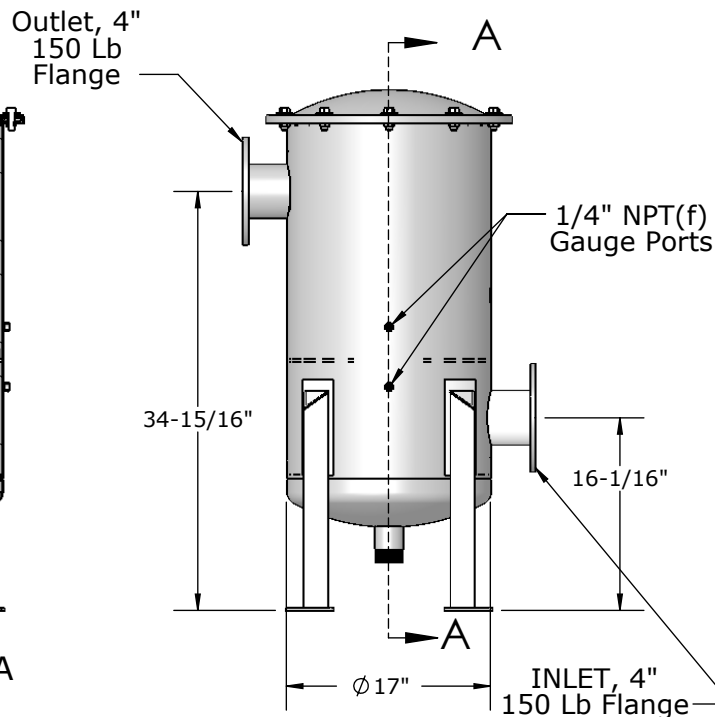
- Multiple screen mesh and perforated sheet sizes available. (See product catalog for samples)

NOTES:

- 1- Dimensions are for informational purposes only and are subject to change.
- 2- 21" additional height required for screen removal.



SECTION A-A



SECTION B-B

PRODUCT SPECIFICATION

MILLER-LEAMAN INC.

800 Orange Ave. Daytona Beach FL 32114

DRAWN	L.Brannan	6/28/10
CHECKED		
ENG APPR.		
MKT APPR.		

SHEET 1 OF 1

TITLE

Thompson Filter
MLI-6-MOD35