

GENERAL SPECIFICATIONS:

- Maximum Flow: 750 GPM (No minimum flow requirement)
- Maximum Pressure: 150 PSI
- Maximum Temperature: 135° F
- Screen Surface Area 745 Sq. In.

MATERIALS:

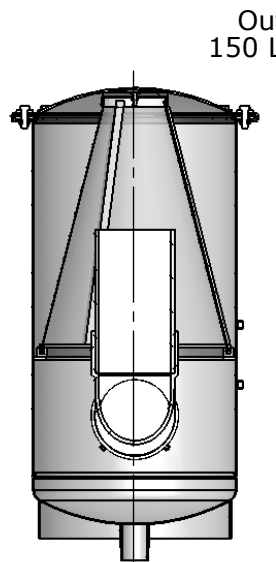
- Housing: 304 Stainless standard (316 Stainless optional)
- Gasket: EPDM standard (other compounds available)
- Screen Mesh: 316 Stainless (1/4" perforated Backup)

SCREEN OPTIONS:

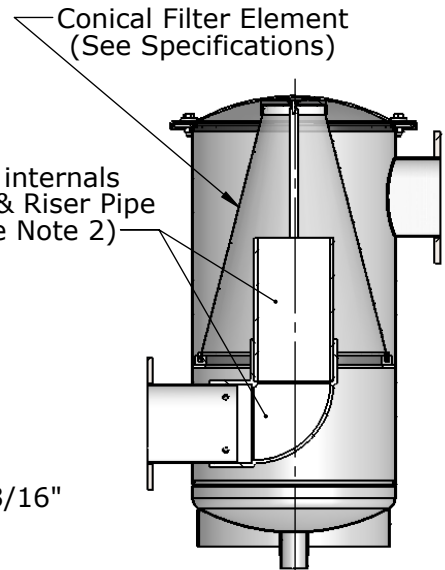
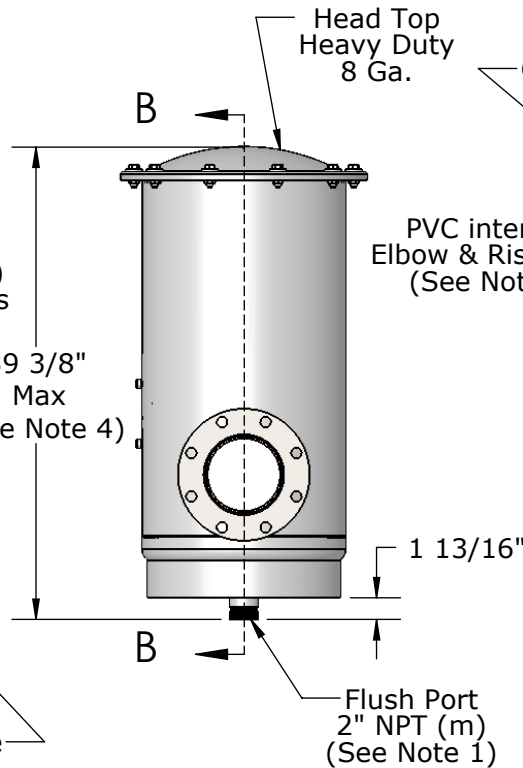
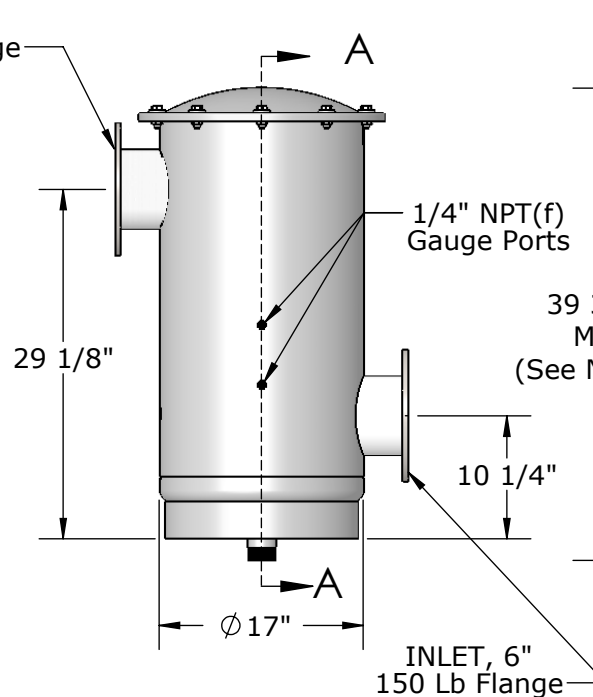
- Multiple screen mesh and perforated sheet sizes available. (See product catalog for samples)

NOTES:

- 1- Flush Port is available in larger sizes.
- 2- Stainless Steel internals (Elbow and Riser Pipe) are also available.
- 3- Dimensions are for informational purposes only and are subject to change.
- 4- Overall height clearance of 60" for filter element removal.



SECTION A-A



SECTION B-B

PRODUCT SPECIFICATION MILLER-LEAMAN INC. 800 Orange Ave. Daytona Beach FL 32114	DRAWN	L.Brannan	8/22/11	TITLE Thompson Filter MLI-6-MOD52
	CHECKED			
	ENG APPR.			
	MKT APPR.			
	SHEET 1 OF 1			