

**GENERAL SPECIFICATIONS:**

- Maximum Flow: 2000 GPM (No minimum flow requirement)
- Maximum Pressure: 150 PSI
- Maximum Temperature: 135° F
- Screen Surface Area: 2434 Sq. In.
- Spray Nozzle: 108 GPM @ 100 PSI

**MATERIALS:**

- Housing: 316 Stainless
- Gasket: EPDM standard (other compounds available)
- Screen: 30 Mesh, w/1/4" perforated sheet backup. (316 Stainless)

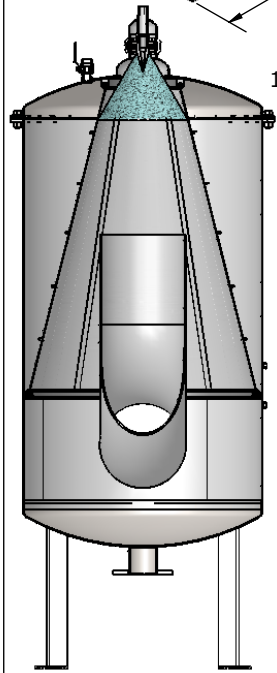
**SCREEN OPTIONS:**

- Multiple screen mesh and perforated sheet sizes available. (See product catalog for samples)

**NOTES:**

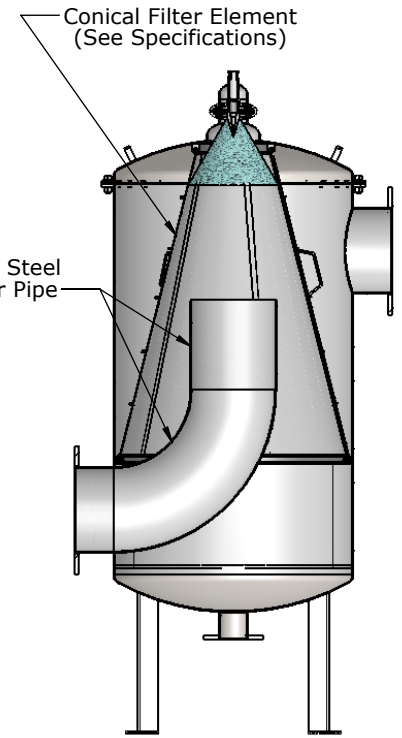
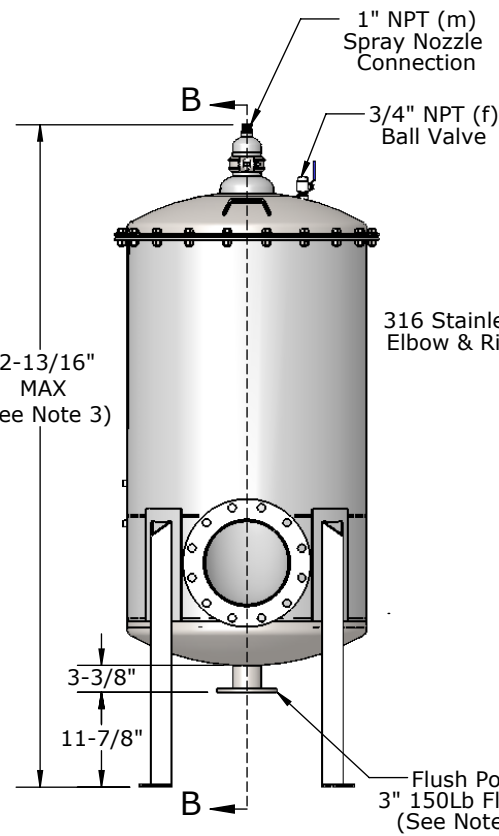
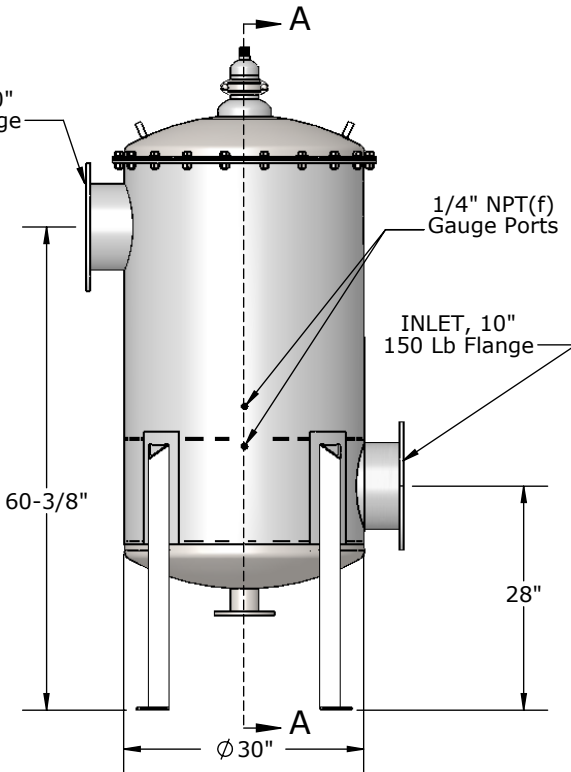
- 1- Flush Port is available in larger sizes.
- 2- Dimensions are for informational purposes only and are subject to change.
- 3- 105" Overall height is required for filter element removal.

26-15/16" TYP



SECTION A-A

OUTLET, 10" 150 Lb Flange



SECTION B-B

**PRODUCT SPECIFICATION**

**MILLER-LEAMAN INC.**

800 Orange Ave. Daytona Beach FL 32114

DRAWN	L.Brannan	10/6/09
CHECKED		
ENG APPR.		
MKT APPR.		
SHEET 1 OF 1		

TITLE
<b>Thompson Strainer</b>
<b>MLS-10-T316-MOD18</b>
Spraybar Application

REV A