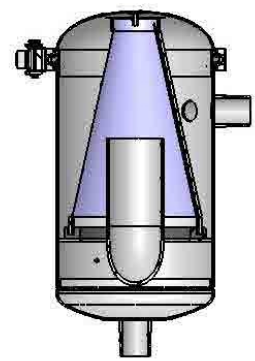
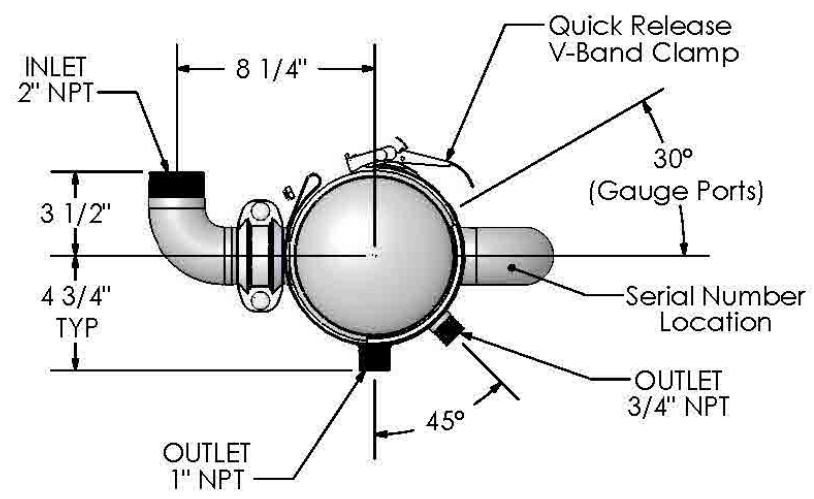
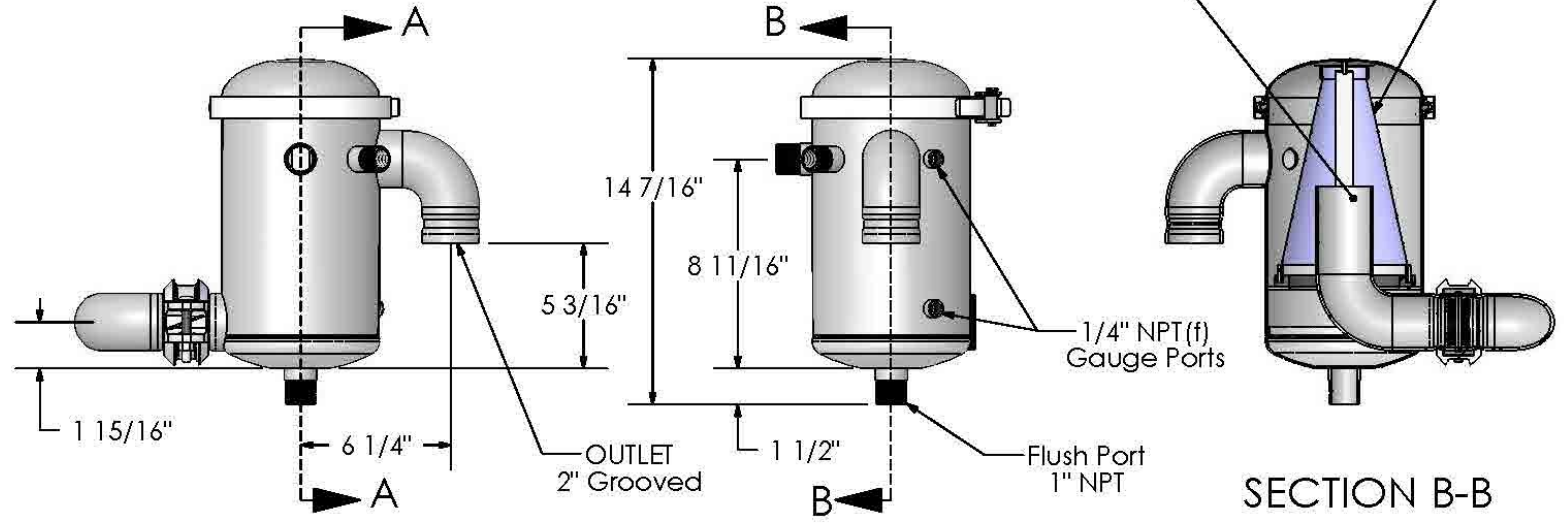


- GENERAL SPECIFICATIONS:**
- Maximum Flow: 100 GPM
(No minimum flow requirement)
 - Maximum Pressure: 125 PSI
 - Maximum Temperature: 135° F
 - Screen Surface Area 122 Sq. In.

- MATERIALS:**
- Housing: 316 Stainless
 - Gasket: EPDM (other compounds available)
 - Screen: 5/64" perforated sheet, 316 Stainless



SECTION A-A



SECTION B-B

PRODUCT SPECIFICATION MILLER-LEAMAN INC. 800 Orange Ave. Daytona Beach FL 32114	DRAWN	J. Larsen	4/25/06	TITLE Thompson Strainer MLS-2-MOD1
	CHECKED			
	ENG APPR.			
	MKT APPR.			
	SHEET 1 OF 1			