

GENERAL SPECIFICATIONS:

- Maximum Flow: 100 GPM (No minimum flow requirement)
- Maximum Pressure: 125 PSI
- Maximum Temperature: 135° F
- Screen Surface Area 122 Sq. In.

MATERIALS:

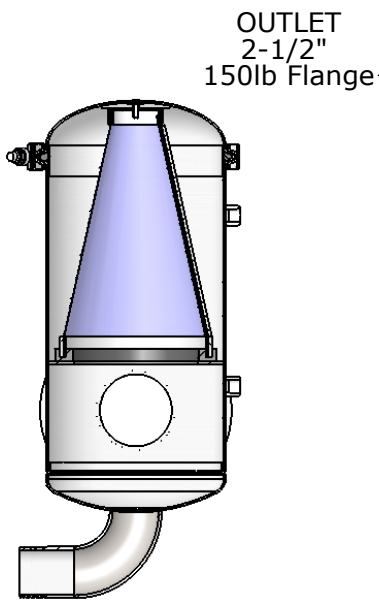
- Housing: 304 Stainless standard (316 Stainless optional)
- Gasket: EPDM standard (other compounds available)
- Screen Mesh: 316 Stainless (1/4" perforated sheet.)

SCREEN OPTIONS:

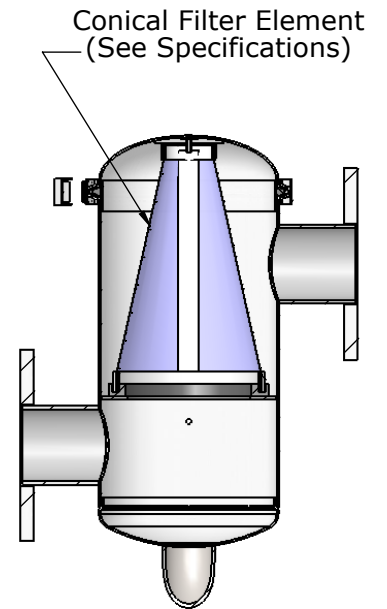
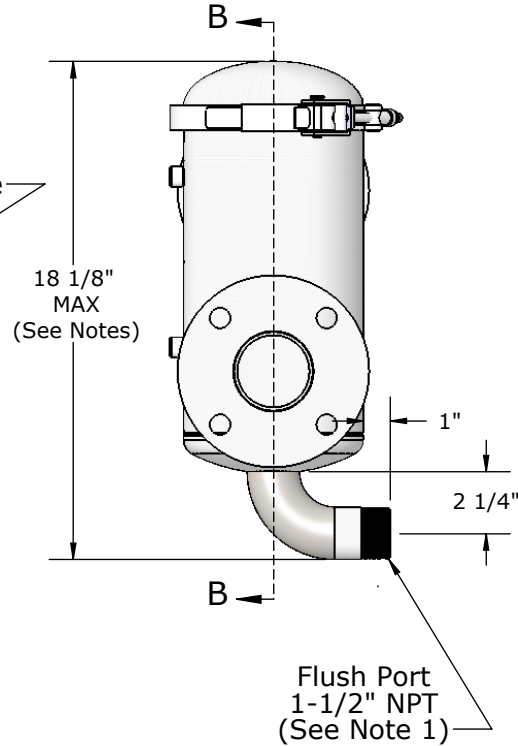
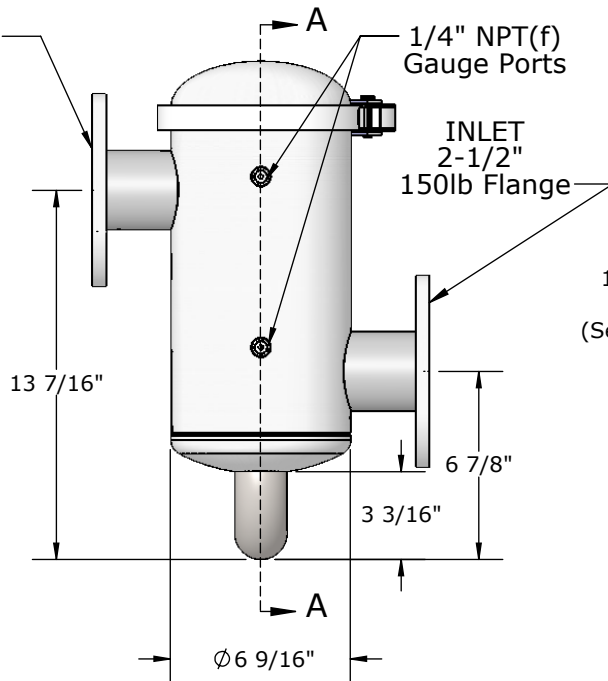
- Multiple screen mesh and perforated sheet sizes available. (See product catalog for samples)

NOTES:

- 1- Flush Port is available in larger sizes.
- 2- Dimensions are for informational purposes only and are subject to change.
- 3- An overall clearance height of 28" for filter element removal.



SECTION A-A



SECTION B-B

<p>PRODUCT SPECIFICATION</p> <p>MILLER-LEAMAN INC.</p> <p>800 Orange Ave. Daytona Beach FL 32114</p>	DRAWN	L.Brannan	12/22/09	<p>TITLE</p> <p>Thompson Strainer</p> <p>MLS-2-MOD21</p>
	CHECKED			
	ENG APPR.			
	MKT APPR.			
SHEET 1 OF 1				