

**GENERAL SPECIFICATIONS:**

- Maximum Flow: 100 GPM (No minimum flow requirement)
- Maximum Pressure: 125 PSI (Higher pressure models are available)
- Maximum Temperature: 135° F (Higher temperature models are available)
- Screen Surface Area 122 Sq. In.

**MATERIALS:**

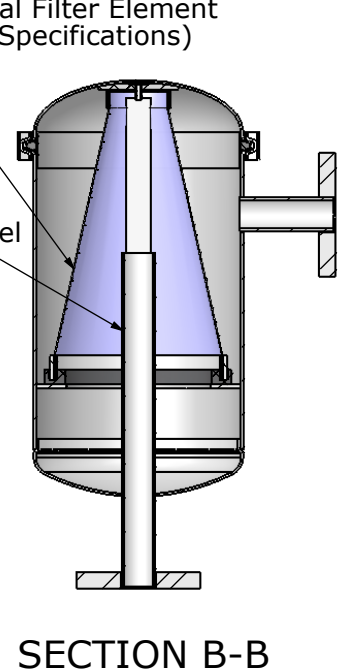
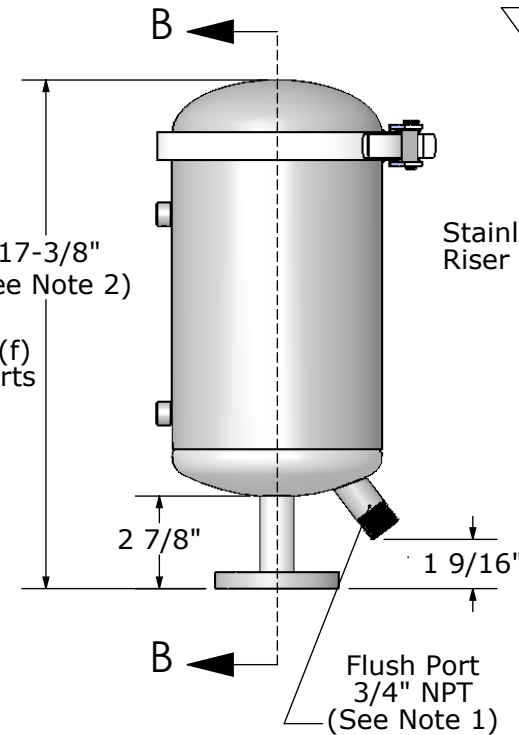
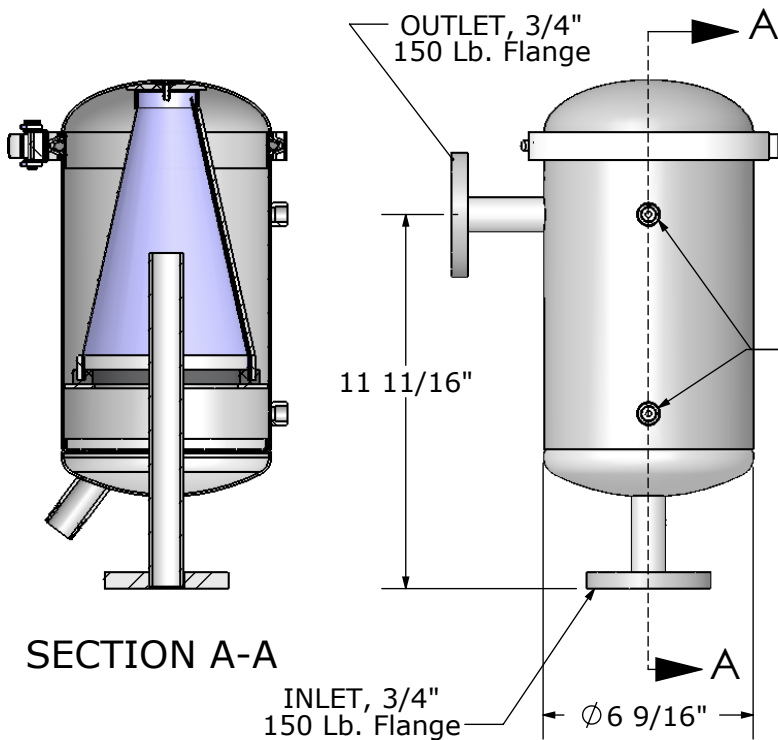
- Housing: 316 Stainless.
- Gasket: EPDM Standard (Other Compounds Available)
- Screen Mesh: 316 Stainless.
- 5/64" Perforated Sheet Screen Backup: 316 Stainless.
- Clamp: 301, 302 or 304 Stainless.

**SCREEN OPTIONS:**

- Multiple screen mesh and perforated sheet sizes available. (See product catalog for samples)

**NOTES:**

- 1- Dimensions are for informational purposes only and are subject to change.
- 2- 27" Overall height is required for filter element removal.



<i>PRODUCT SPECIFICATION</i>	DRAWN	L.Brannan	11/6/07
	CHECKED		
	ENG APPR.		
	MKT APPR.		
	<b>MILLER-LEAMAN INC.</b> 800 Orange Ave. Daytona Beach FL 32114		

TITLE	<b>Type 316 Thompson Strainer MLS-2-T316-MOD5</b> SHEET 1 OF 1