

GENERAL SPECIFICATIONS:

- Maximum Flow: 200 GPM (No minimum flow requirement).
- Maximum Pressure: 125 PSI (Higher pressure models available).
- Not Designed for Suction / Vacuum.
- Screen Surface Area: 200 Sq. In.
- Dry Weight: 30 lbs.
- Wet Weight: 60 lbs / Volume: 3.3 gal.
- Maximum Temperature: **135° F.**
(Consult Factory for higher temperature applications).

MATERIALS:

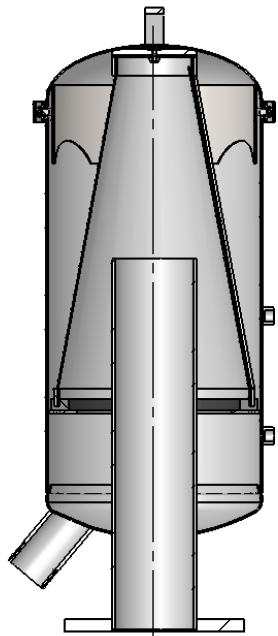
- Housing: 304 Stainless standard (316 Stainless optional).
- Gasket: EPDM standard (other compounds available).
- Screen Mesh: 316 Stainless (1/4" perforated sheet backup).

SCREEN OPTIONS:

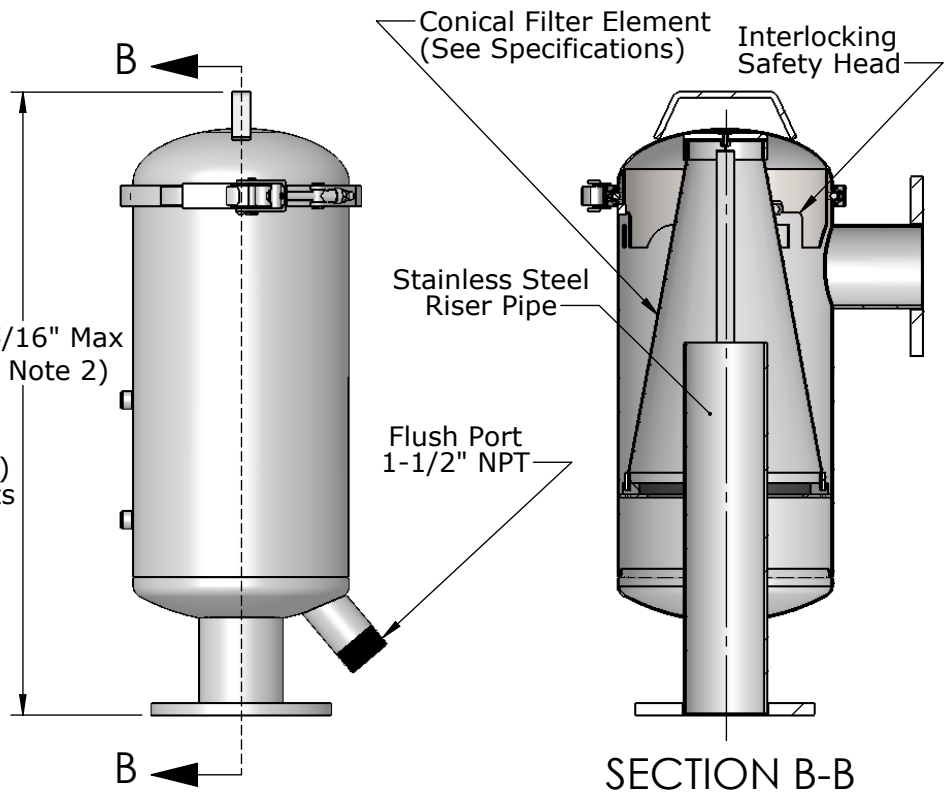
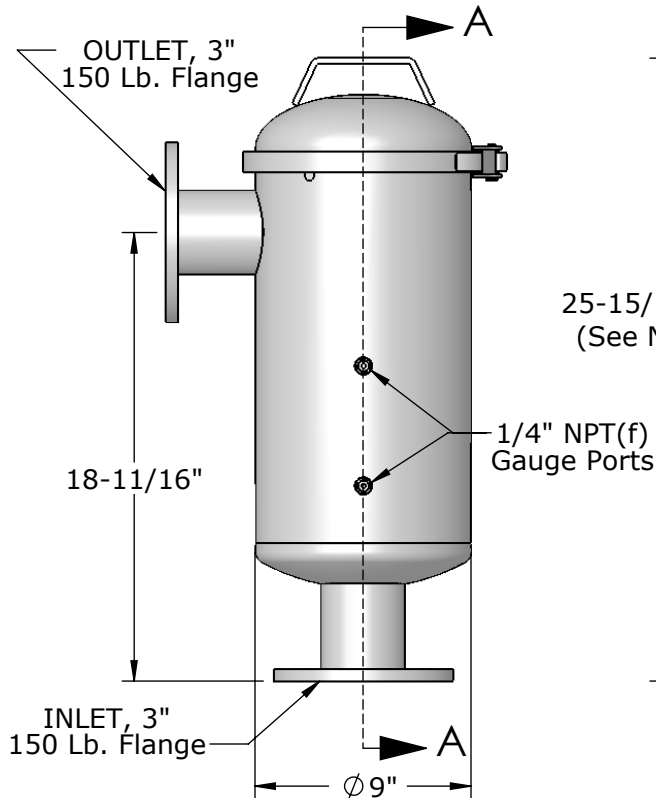
- Multiple screen mesh and perforated sheet sizes available.
(See product catalog for samples).

NOTES:

- 1- Flush Port is available in larger sizes.
- 2- Dimensions are for informational purposes only and are subject to change.
- 3- 38" Overall height is required for filter element removal.



SECTION A-A



SECTION B-B

<p>PRODUCT SPECIFICATION</p> <p>MILLER LEAMAN INC</p> <p>800 Orange Avenue, Daytona Beach, FL 32114</p>	DRAWN	J. Larsen	9/14/07	<p>TITLE</p> <p>Thompson Strainer</p> <p>MLS-3-MOD5</p>
	CHECKED			
	ENG APPR.			
	REVISION	A	3/21/12	
	MLI FILE #	ML20450-MOD5		