

**GENERAL SPECIFICATIONS:**

- Maximum Flow: 200 GPM (No minimum flow requirement).
- Maximum Pressure: 125 PSI (Higher pressure models available).
- Not Designed for Suction / Vacuum.
- Screen Surface Area 200 Sq. In.
- Dry Weight: 30 lbs.
- Wet Weight: 68 lbs / Volume: 4.6 gal.
- Maximum Temperature: **135° F.**  
(Consult Factory for higher temperature applications).

**MATERIALS:**

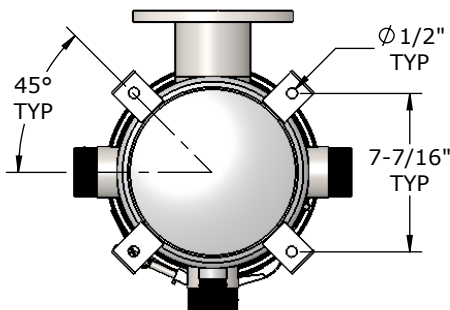
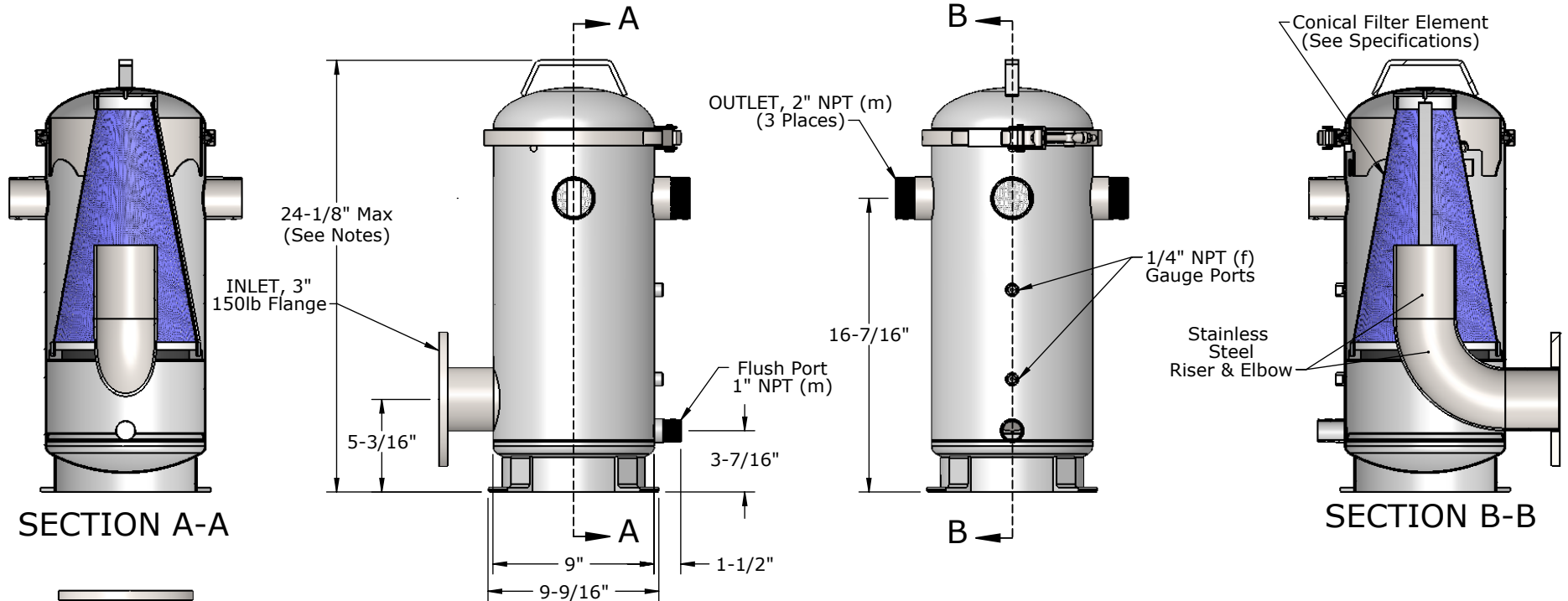
- Housing: 316 Stainless
- Gasket: EPDM standard (other compounds available).
- Screen Mesh: 316 Stainless (1/4" perforated sheet backup).

**SCREEN OPTIONS:**

- Multiple screen mesh and perforated sheet sizes available.  
(See product catalog for samples).

**NOTES:**

- 1- Flush Port is available in larger sizes.
- 2- Dimensions are for informational purposes only and are subject to change.
- 3- 38" Overall height is required for filter element removal.



<p><b>PRODUCT SPECIFICATION</b></p> <p><b>MILLER LEAMAN</b> INC</p> <p>800 Orange Avenue, Daytona Beach, FL 32114</p>	DRAWN	L.Brannan	1/6/12	TITLE
	CHECKED			<p><b>Thompson Strainer</b> <b>MLS-3-T316-MOD29</b></p>
	ENG APPR.			
	REVISION			
	MLI FILE #	ML20450-MOD29		