

**GENERAL SPECIFICATIONS:**

- Maximum Flow: 200 GPM (No minimum flow requirement) Each Unit.
- Maximum Pressure: 125 PSI
- Maximum Temperature: 135° F
- Screen Surface Area 200 Sq. In. Each Unit.

**MATERIALS:**

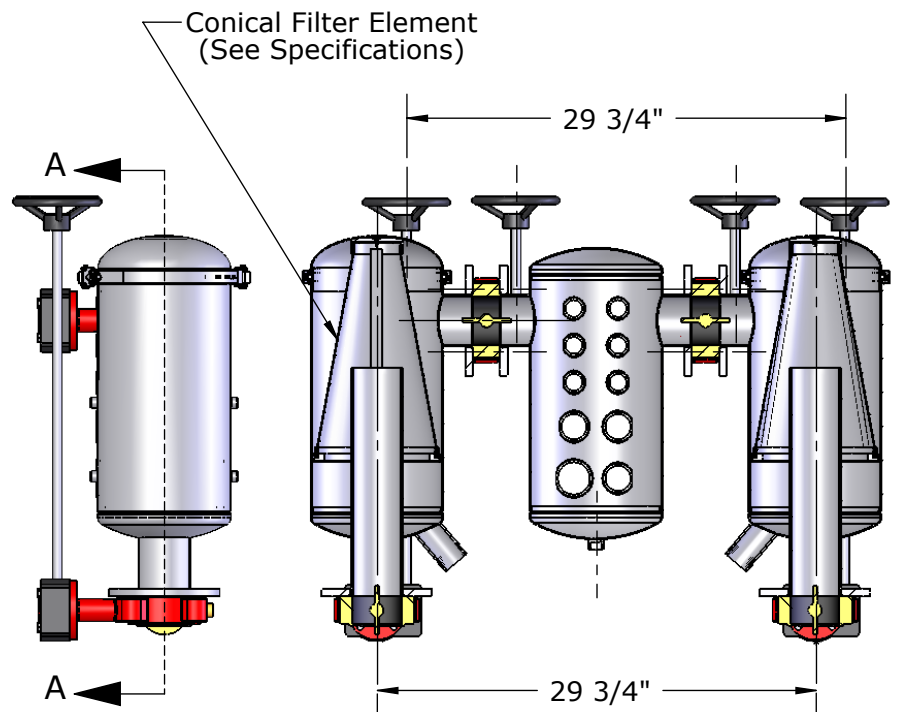
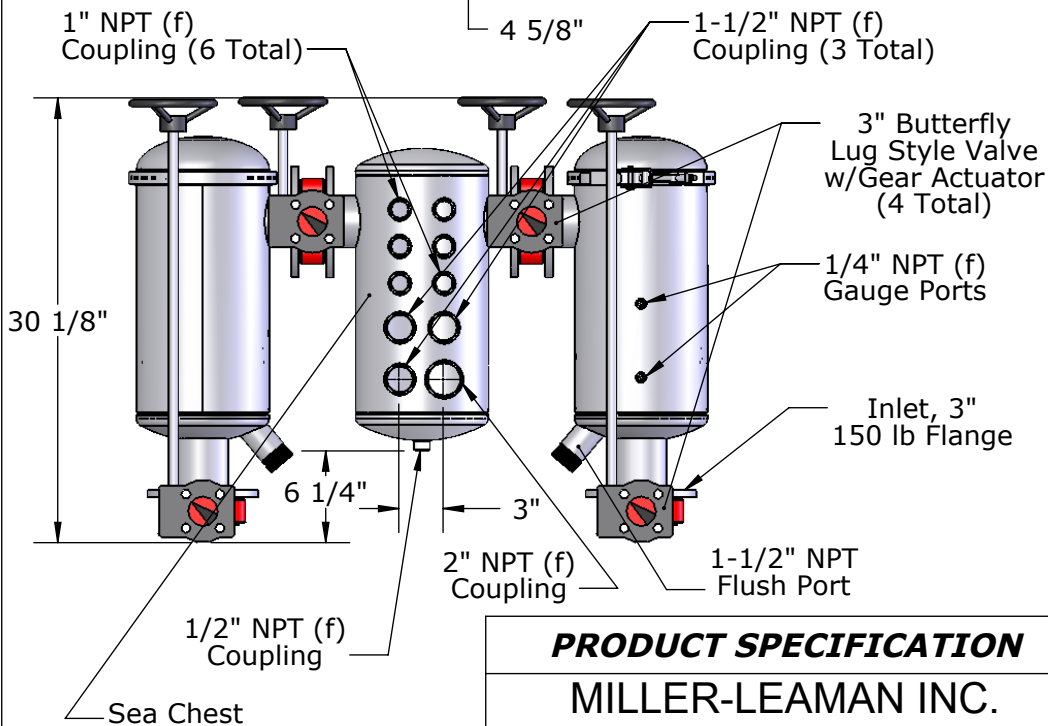
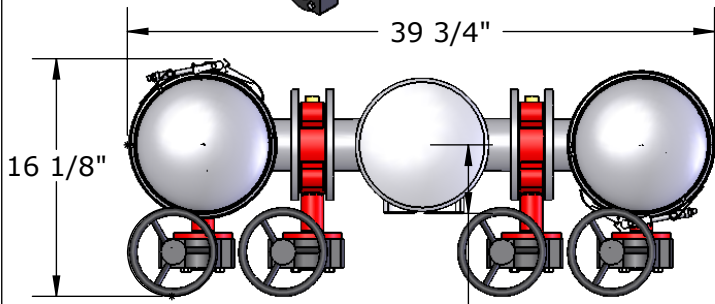
- Housing: 316 Stainless.
- Gaskets: EPDM.
- Screen Mesh: 5/64" perforated sheet backup, 316 Stainless.

**SCREEN OPTIONS:**

- Multiple screen mesh and perforated sheet sizes available.  
(See product catalog for samples)

**NOTES:**

- 1- Dimensions are for informational purposes only and are subject to change.
- 2- Overall Height of 39" required for Filter Element Removal.



<p><b>PRODUCT SPECIFICATION</b></p> <p><b>MILLER-LEAMAN INC.</b></p> <p>800 Orange Ave. Daytona Beach FL 32114</p>	DRAWN	L.Brannan	3/5/08	<p>TITLE</p> <p><b>Thompson Strainer</b></p> <p><b>MLS-3-T316-MOD9</b></p> <p><b>W/Sea Chest</b></p>
	CHECKED			
	ENG APPR.			
	MKT APPR.			
	SHEET 1 OF 1			