

**GENERAL SPECIFICATIONS:**

- Maximum Pressure: 150 PSI (Not designed for suction/vacuum)
- Maximum Temperature: 135° F
- Screen Surface Area 367 Sq. In.

**MATERIALS:**

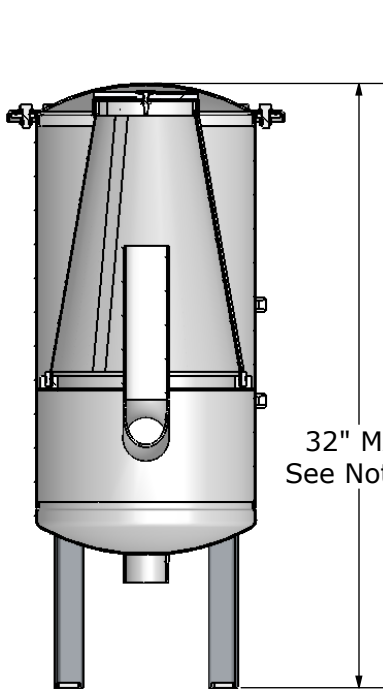
- Housing: 304 Stainless
- Gasket: EPDM
- Screen: 5/64" Perforated, 304 Stainless

**SCREEN OPTIONS:**

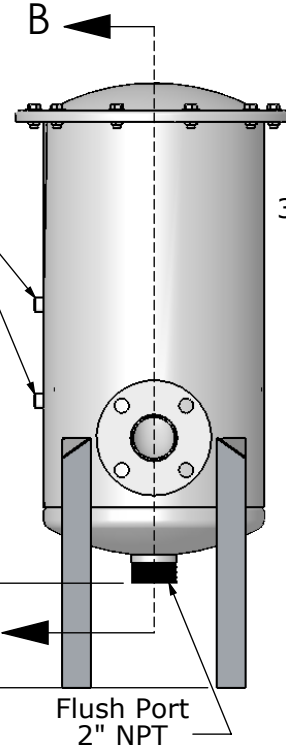
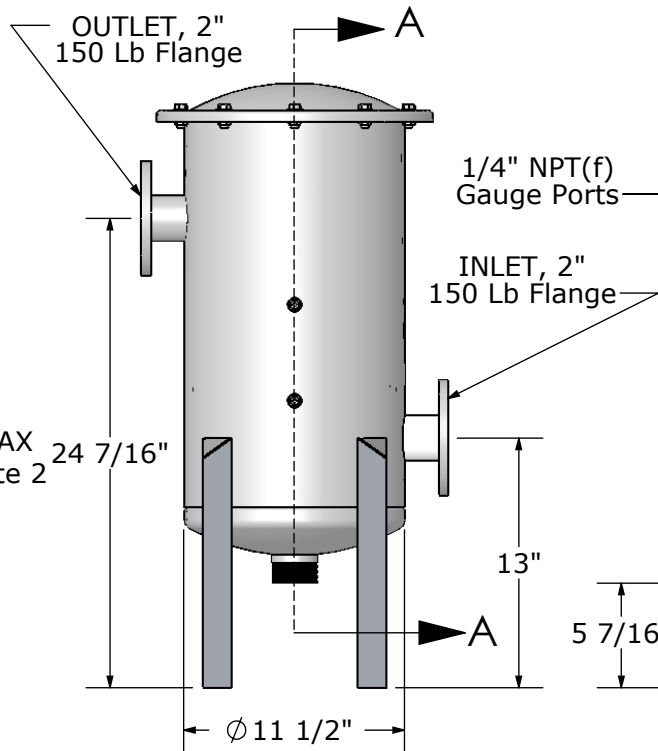
- Multiple screen mesh and perforated sheet sizes available. (See product catalog for samples)

**NOTES:**

- 1- Dimensions are for informational purposes only and are subject to change.
- 2- 48" overall height is required for filter element removal.



SECTION A-A



SECTION B-B

<b>PRODUCT SPECIFICATION</b> <b>MILLER-LEAMAN INC.</b> 800 Orange Ave. Daytona Beach FL 32114	DRAWN	L.Brannan	1/30/08	TITLE <b>Thompson Strainer</b> <b>MLS-4B-MOD10</b>
	CHECKED			
	ENG APPR.			
	MKT APPR.			
SHEET 1 OF 1				