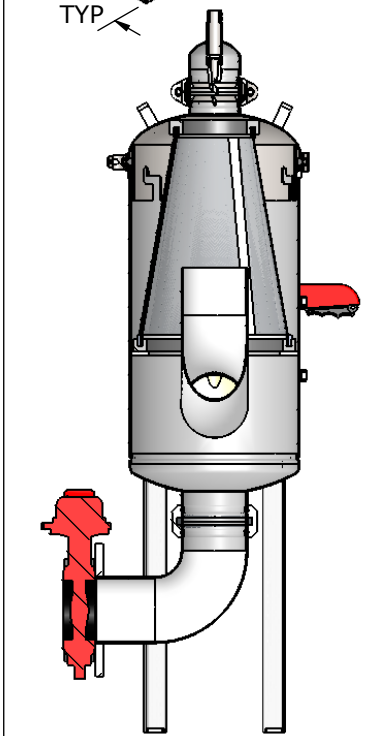


- GENERAL SPECIFICATIONS:**
- Maximum Flow: 350 GPM (No minimum flow requirement)
 - Maximum Pressure: 125 PSI
 - Maximum Temperature: 135° F
 - Screen Surface Area 367 Sq. In.
 - Spray Nozzle Capacity: 28 GPM @ 60 PSI

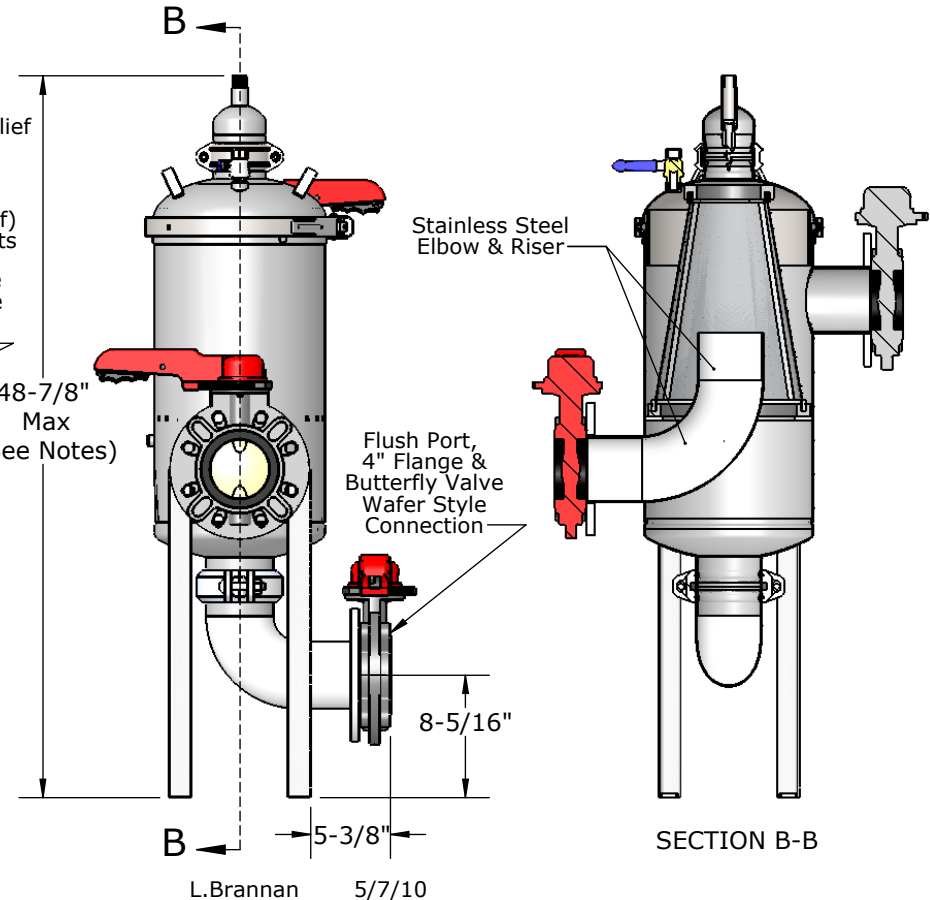
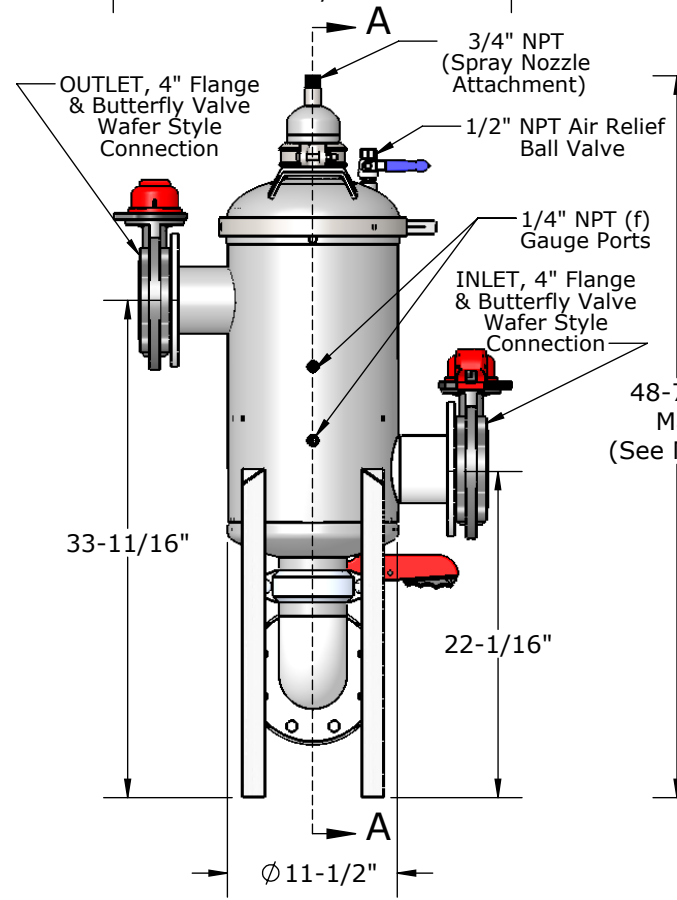
- MATERIALS:**
- Housing: 316 Stainless Steel
 - Gasket: EPDM standard (other compounds available)
 - Screen Mesh: 316 Stainless (1/4" Perforated Backup)
 - Clamp: 301, 302 or 304 Stainless Steel

- SCREEN OPTIONS:**
- Multiple screen mesh and perforated sheet sizes available. (See product catalog for samples)

- NOTES:**
- 1- Dimensions are for informational purposes only and are subject to change.
 - 2- 62" Overall height required for Filter element Removal.



SECTION A-A



L.Brannan 5/7/10

PRODUCT SPECIFICATION MILLER-LEAMAN INC. 800 Orange Ave. Daytona Beach FL 32114	DRAWN			TITLE Thompson Strainer MLS-4C-MOD44 SHEET 1 OF 1
	CHECKED			
	ENG APPR.			
	MKT APPR.			