

GENERAL SPECIFICATIONS:

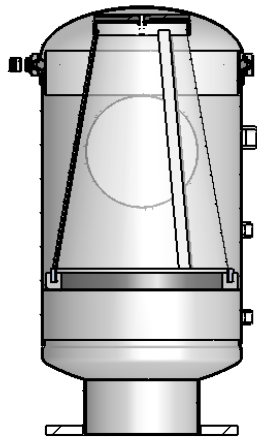
- Maximum Flow: 350 GPM (No minimum flow requirement)
- Maximum Pressure: 125 PSI
- Maximum Temperature: 135° F
- Screen Surface Area 367 Sq. In.

MATERIALS:

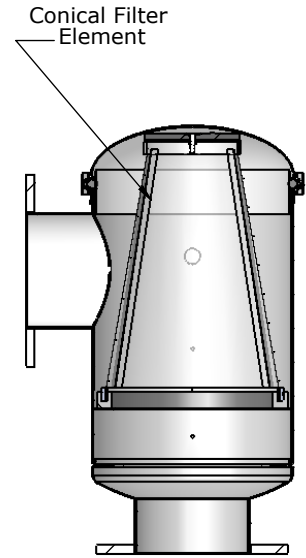
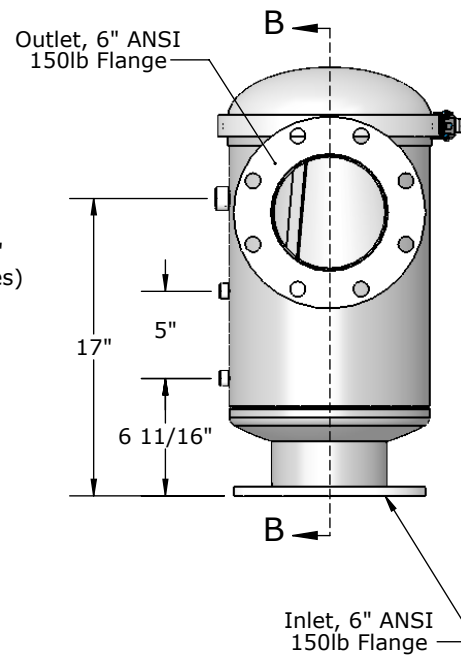
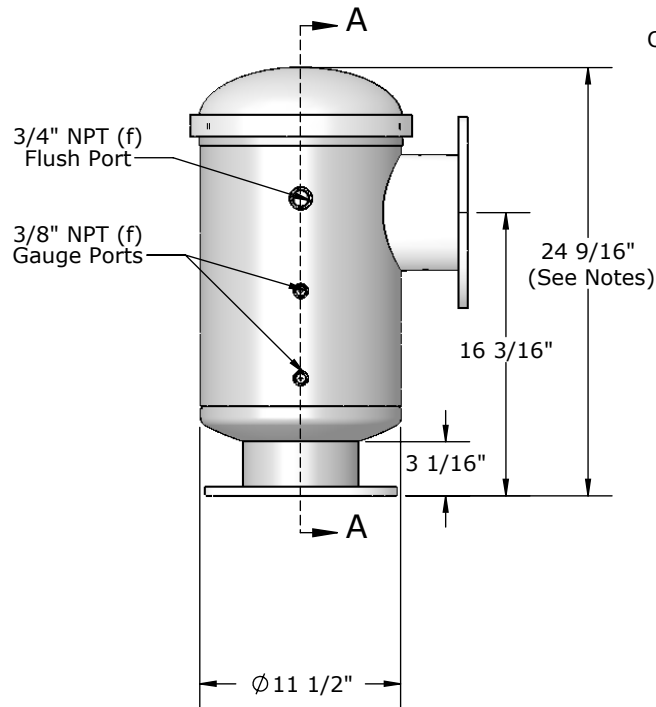
- Housing: 316 Stainless
- Gasket: EPDM
- Screen Frame: 316 Stainless
- Screen: 316 Stainless, 5/64 Perforated Sheet
- Clamp: 301, 302, or 304 Stainless

NOTES:

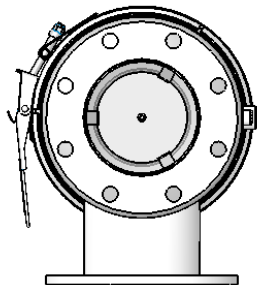
1- 38" overall height is required for filter element removal.



SECTION A-A



SECTION B-B



REV A

PRODUCT SPECIFICATION
MILLER-LEAMAN INC.
 800 Orange Ave. Daytona Beach FL 32114

	L.Brannan	12/16/08
DRAWN		
CHECKED		
ENG APPR.		
MKT APPR.		

TITLE
Thompson Strainer
MLS-4C-T316-MOD33
 SHEET 1 OF 1