

GENERAL SPECIFICATIONS:

- Maximum Flow: 750 GPM (No minimum flow requirement)
- Maximum Pressure: 150 PSI
- Maximum Temperature: 135° F
- Screen Surface Area 745 Sq. In.
- Recommended Pressure at Spray Nozzle: 60PSI. (50 GPM @ 60 PSI)
- Recommended Pipe Size to Spray Nozzle:
 Up to 25 Feet Pipe Length - 1-1/2" Minimum Pipe Size
 25 Feet to 100 Feet Pipe Length - 2" Minimum Pipe Size

MATERIALS:

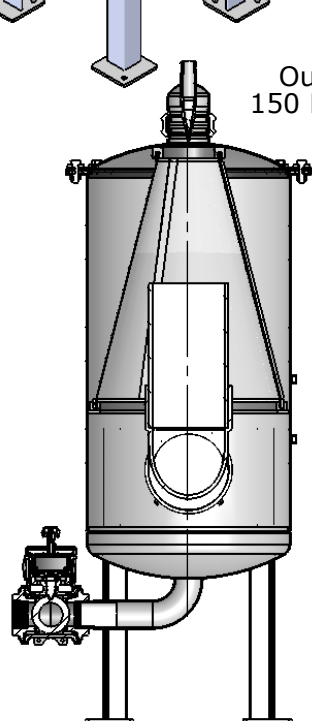
- Housing: 304 Stainless
- Gasket: EPDM standard (other compounds available)
- Screen: 1/16" Perforated Screen w/1/16" Holes

SCREEN OPTIONS:

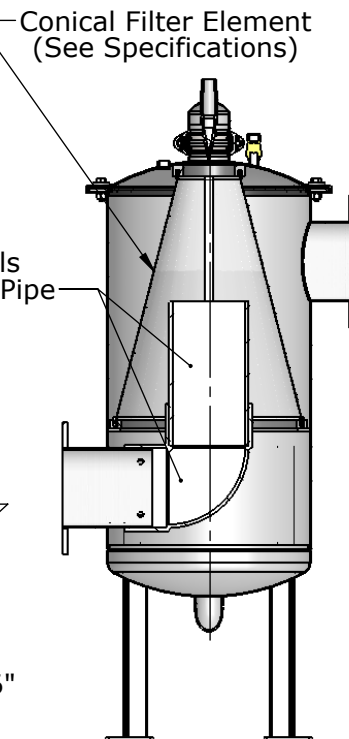
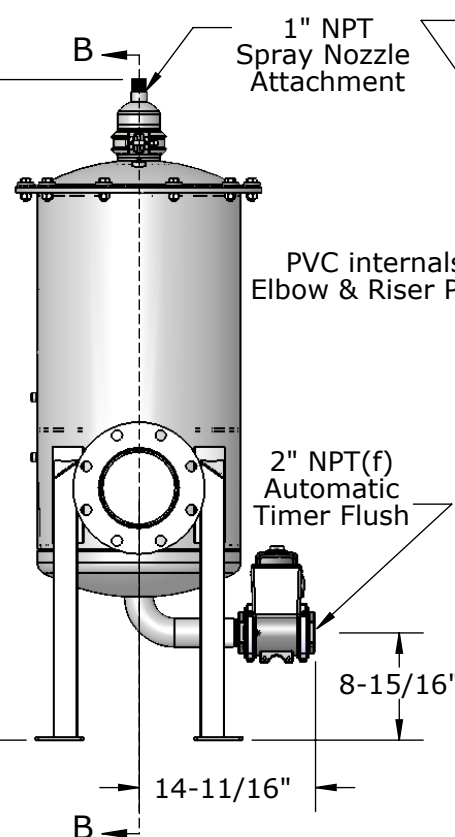
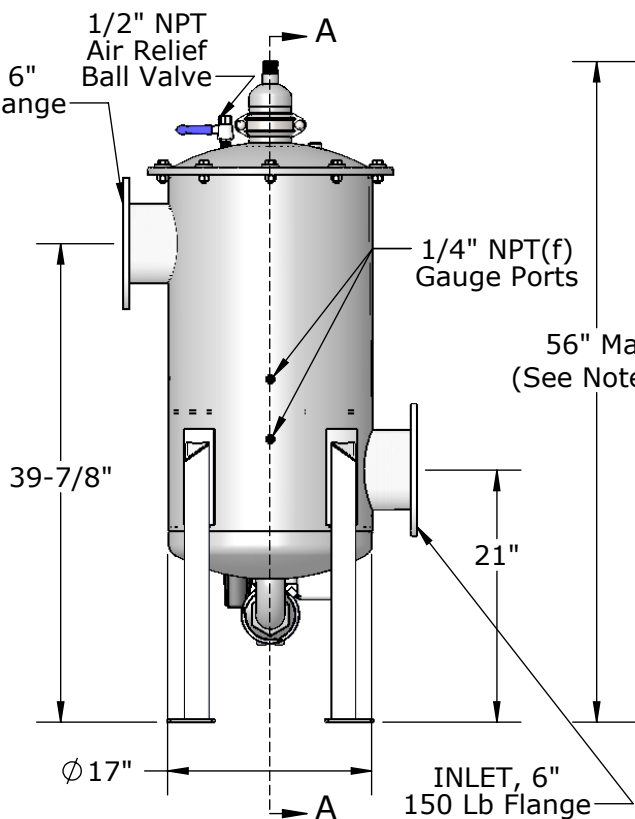
- Multiple screen mesh and perforated sheet sizes available.
(See product catalog for samples)

NOTES:

- 1- Dimensions are for informational purposes only and are subject to change.
- 2- 21" additional height required for screen removal.



SECTION A-A



SECTION B-B

PRODUCT SPECIFICATION MILLER-LEAMAN INC. 800 Orange Ave. Daytona Beach FL 32114	DRAWN	J. Larsen	8/10/10	TITLE Thompson Strainer MLS-6-MOD38
	CHECKED			
	ENG APPR.			
	MKT APPR.			
SHEET 1 OF 1				