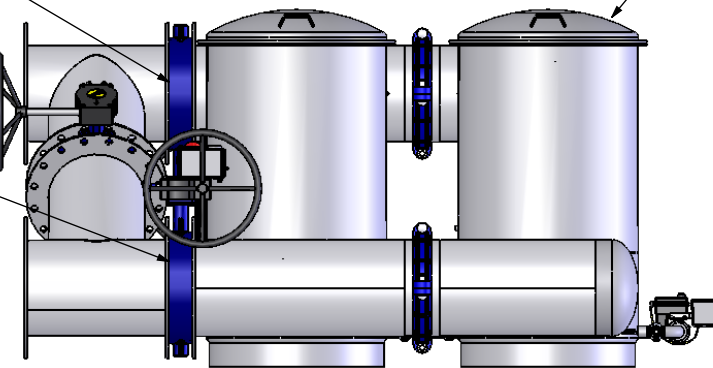


OUTLET, 16"
150 Lb. Flange
304 Stainless

INLET, 16"
150 Lb. Flange
304 Stainless

MLS-10 Strainer
2 Places



NOTE:
1- 95" OVERHEAD HEIGHT REQUIRED FOR FILTER REMOVAL.

PRODUCT SPECIFICATION	
MILLER-LEAMAN INC.	
800 Orange Ave. Daytona Beach FL 32114	

DRAWN	J. Larsen	11/6/06
CHECKED		
ENG APPR.		
MKT APPR.		
SHEET 1 OF 1		

TITLE
TSM10(2)x16-T304 w/Strainer Isolation Valves