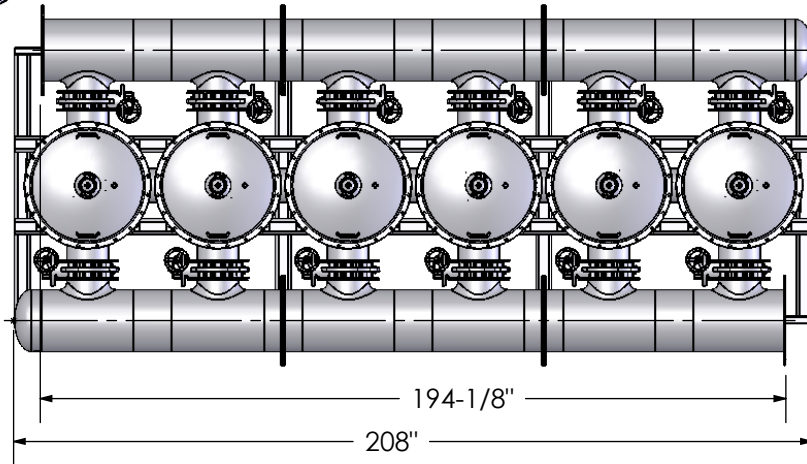


REVISIONS			
REV.	DESCRIPTION	DATE	APPROVED
A	Flush Manifold added. PVC B'fly Valves added.	11/20/09	JRL
B	304 Stainless Steel skid added.	11/23/09	JRL

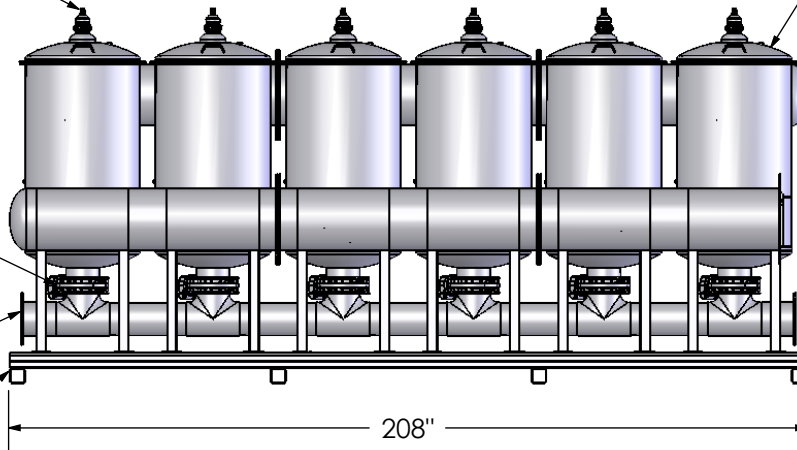


1" NPT(m) connection
for Full Cone Rinse Nozzles
6 Places

8" PVC
Butterfly Valves
(6)

Flush Manifold
8" Flange
Both Ends

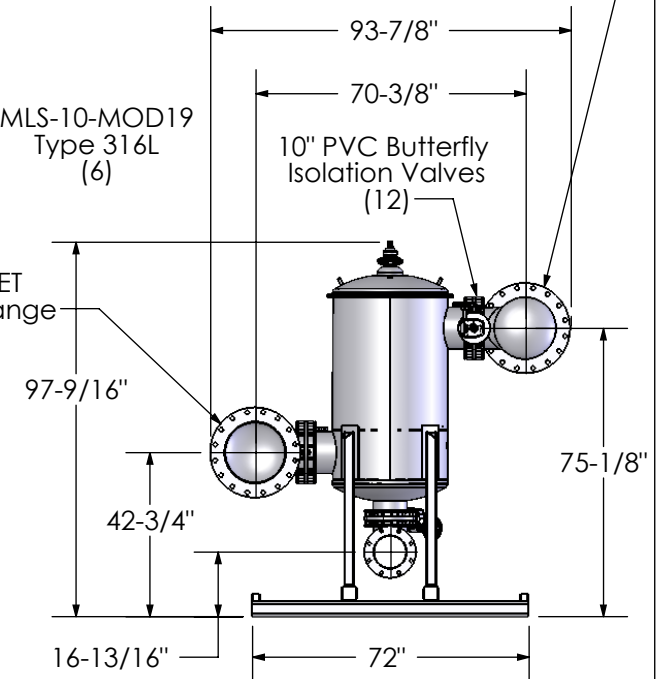
304 Stainless
Steel Skid



MLS-10-MOD19
Type 316L
(6)

INLET
16" Flange

OUTLET
16" Flange



PRODUCT SPECIFICATION MILLER-LEAMAN INC. 800 Orange Ave. Daytona Beach FL 32114	DRAWN	J. Larsen	11/17/09
	CHECKED		
	ENG APPR.		
	MKT APPR.		
	SHEET 1 OF 1		

TITLE
**TSM10(6)x16-T316L
 w/Strainer Isolation Valves
 (Hatch)**