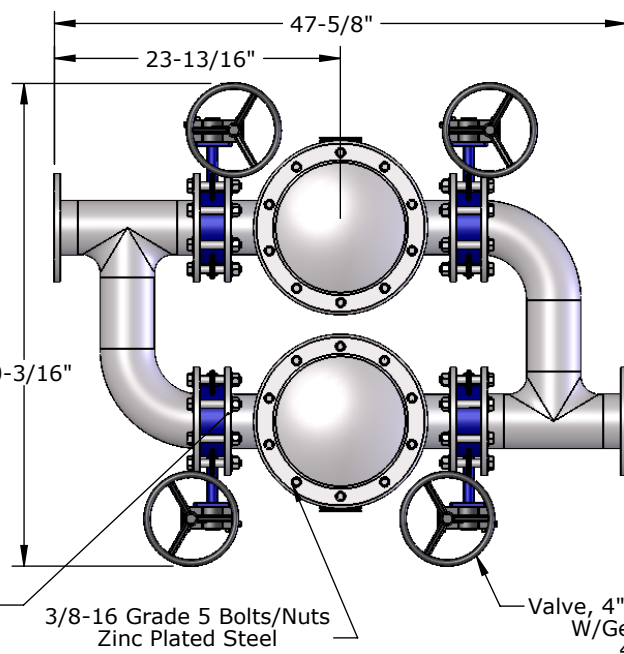


Serial Number Location (Each Strainer)



3/8-16 Grade 5 Bolts/Nuts Zinc Plated Steel

Valve, 4" Butterfly-Wafer W/Gear Operator 4 Places (Isolation Valves)

GENERAL SPECIFICATIONS:

- Maximum Flow: 350 GPM (No minimum flow requirement).
- Maximum Pressure: 150 PSI (Higher pressure models available).
- Not Designed for Suction / Vacuum.
- Screen Surface Area 367 Sq. In. Ea Strainer
- Dry Weight: 60 lbs. Ea Strainer Only (345 lbs System Total)
- Wet Weight: 160 lbs / Volume: 11.1 gal. - Ea Strainer Only
- Maximum Temperature: **135° F.**
(Consult Factory for higher temperature applications).

MATERIALS:

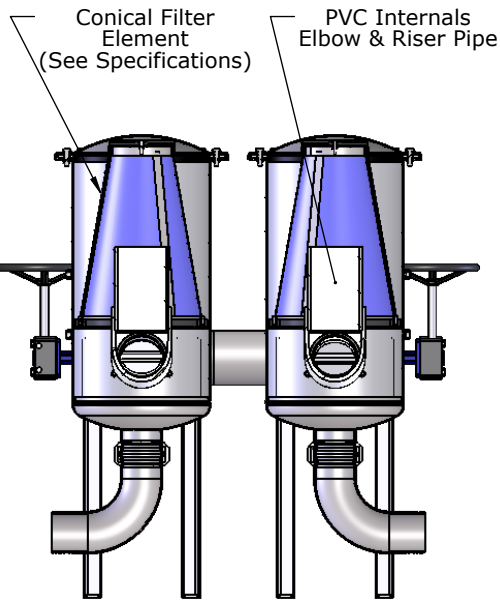
- Housing: 304 Stainless standard (316 Stainless optional).
- Gasket: EPDM standard (other compounds available).
- Screen Mesh: 316 Stainless (1/4" perforated sheet backup).

SCREEN OPTIONS:

- Multiple screen mesh and perforated sheet sizes available.
(See product catalog for samples).

NOTES:

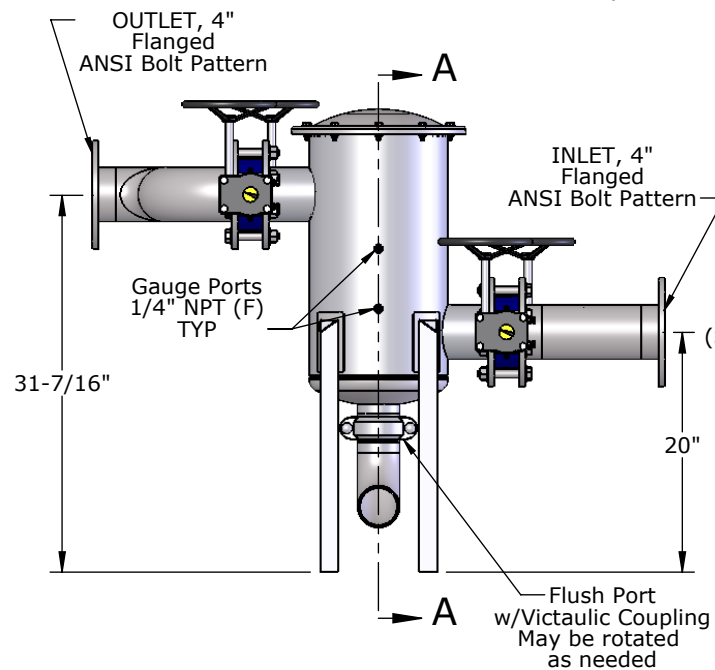
- 1- Flush Port is available in larger sizes. (Bottom Flush also available).
- 2- Dimensions are for informational purposes only and are subject to change.
- 3- Stainless Steel Internals (Elbow & Riser Pipe) are also available.
- 4- 54" Overall height is required for filter element removal.



Conical Filter Element (See Specifications)

PVC Internals Elbow & Riser Pipe

SECTION A-A

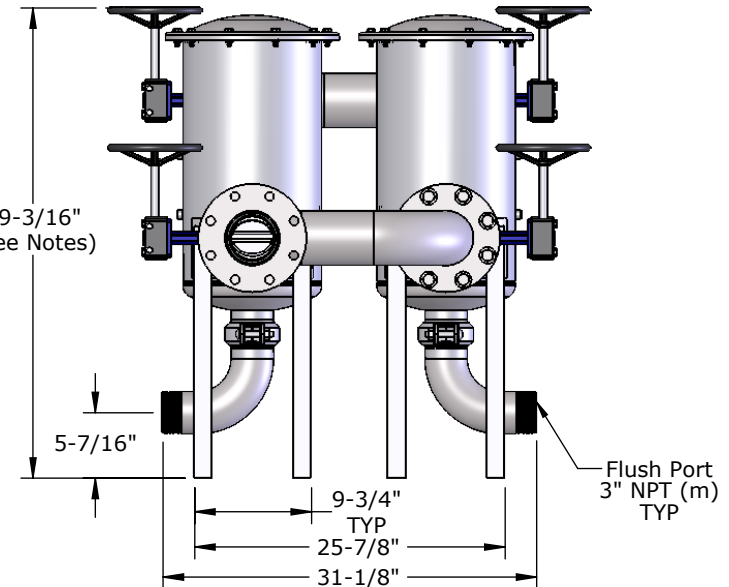


OUTLET, 4" Flanged ANSI Bolt Pattern

INLET, 4" Flanged ANSI Bolt Pattern

Gauge Ports 1/4" NPT (F) TYP

Flush Port w/Victaulic Coupling May be rotated as needed



Flush Port 3" NPT (m) TYP

PRODUCT SPECIFICATION



800 Orange Ave. Daytona Beach FL 32114

DRAWN	L.Brannan	8/20/12
CHECKED		
ENG APPR.		
MKT APPR.		
MLI File #	ML21641-01	SHEET 1 OF 1

TITLE:
**Thompson Strainer
MLS-4B-Duplex
TSM4B(2)x4-T304-MOD1**