

GENERAL SPECIFICATIONS:

- Maximum Flow: 750 GPM (No minimum flow requirement).
- Maximum Pressure: 150 PSI (Higher pressure models available).
- Not Designed for Suction / Vacuum.
- Screen Surface Area 745 Sq. In. Ea. Strainer
- Dry Weight: 125 lbs.- Ea. Strainer Only (558 lbs System Total)
- Wet Weight: 425 lbs / Volume: 34.3 gal.- Ea. Strainer Only
- Maximum Temperature: **135° F.**
(Consult Factory for higher temperature applications).

MATERIALS:

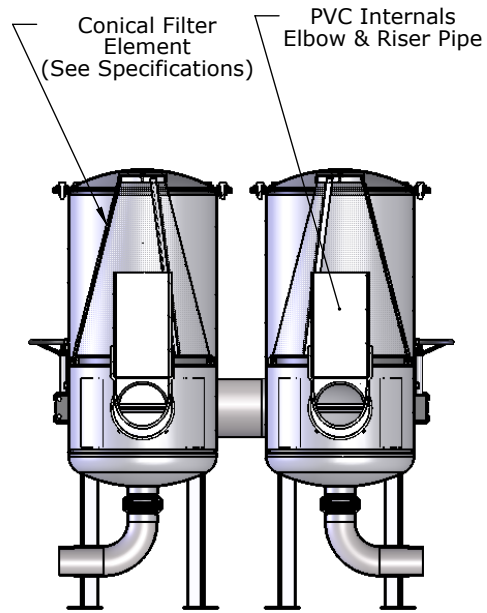
- Housing: 304 Stainless standard (316 Stainless optional).
- Gasket: EPDM standard (other compounds available).
- Screen Mesh: 316 Stainless (1/4" perforated sheet backup).

SCREEN OPTIONS:

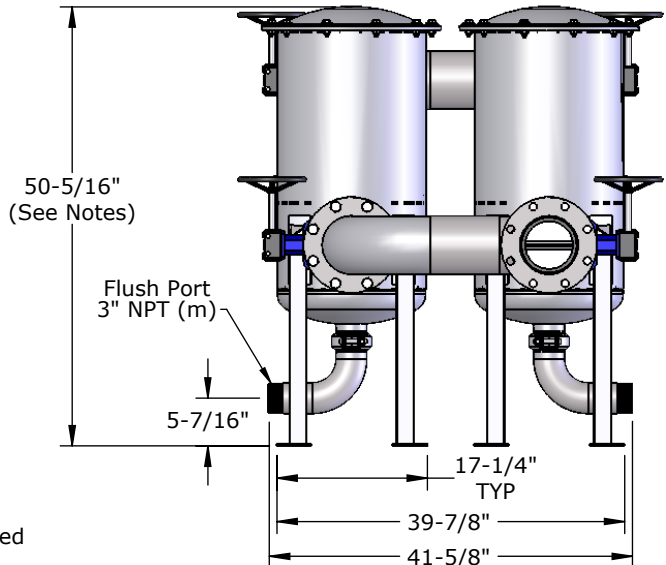
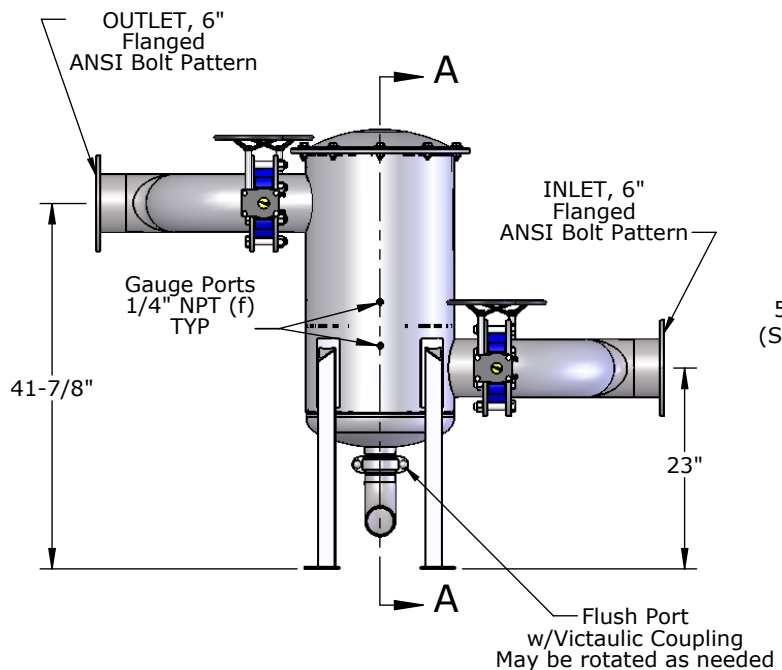
- Multiple screen mesh and perforated sheet sizes available.
(See product catalog for samples).

NOTES:

- 1- Flush Port is available in larger sizes. (Bottom Flush also available).
- 2- Dimensions are for informational purposes only and are subject to change.
- 3- Stainless Steel Internals (Elbow & Riser Pipe) are also available.
- 4- 71" Overall height is required for filter element removal.



SECTION A-A



PRODUCT SPECIFICATION	DRAWN	L.Brannan	8/17/12	TITLE: Thompson Strainer MLS-6-Duplex TSM6(2)x6-T304-MOD2
	CHECKED			
	ENG APPR.			
	MKT APPR.			
800 Orange Ave. Daytona Beach FL 32114			MLI File# ML21477-02 Rev A SHEET 1 OF 1	