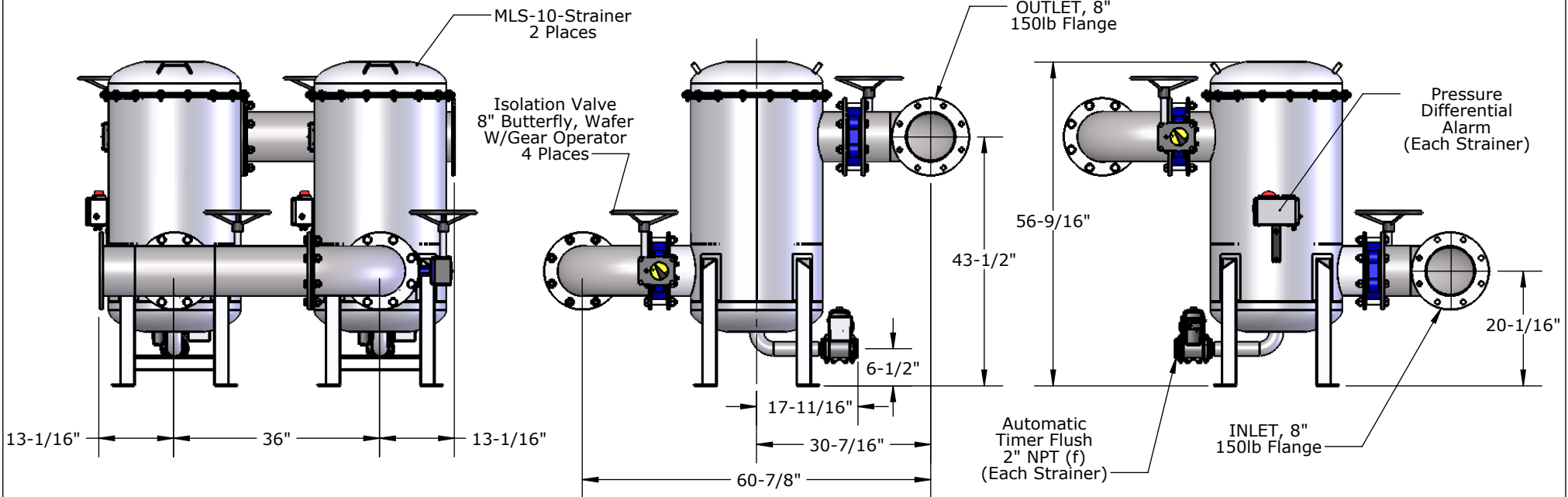


**GENERAL SPECIFICATIONS:**  
 - Maximum Flow: 1300 GPM (No minimum flow requirement)(Single Strainer)  
 - Maximum Pressure: 150 PSI  
 - Maximum Temperature: 135° F  
 - Screen Surface Area 1559 Sq. In. (Each Strainer)

**MATERIALS:**  
 - Housing: 304 Stainless standard (316 Stainless optional)  
 - Gasket: EPDM standard (other compounds available)  
 - Screen Mesh: 304 Stainless (1/4" perforated sheet backup)

**SCREEN OPTIONS:**  
 - Multiple screen mesh and perforated sheet sizes available.  
 (See product catalog for samples)

**NOTES:**  
 1- Flush Port is available in larger sizes. Bottom Flush Port is also available.  
 2- Stainless Steel internals (Elbow and Riser Pipe) are also available.  
 3- Dimensions are for informational purposes only and are subject to change.  
 4- 83" Overall height requirement for filter element removal.



**PRODUCT SPECIFICATION**

**MILLER LEAMAN INC**

800 Orange Ave. Daytona Beach FL 32114

DRAWN	L.Brannan	9/16/2011
CHECKED		
ENG APPR.		
MKT APPR.		
MLI File #	ML21526	SHEET 1 OF 1

**ELECTRICAL REQUIREMENTS:**  
 PDA & ATF: 115VAC, 3 Total Amps  
 (2 PDA + 2 ATF Power Supplies)

TITLE:  
**TSM8(2)X8-T304  
 W/Strainer Isolation Valves**