

Visit our website!
www.millerleaman.com

URGENT!
TO: Sales Department

MILLER-LEAMAN, INC.
Manufacturer of the
**THOMPSON
Filter**

Fast Fax- Thompson Filter

Fill out this fact form and an application specialist will respond to your questions ASAP. Fax this form to:

(386) 248-3033

Or, call us at 1-800-881-0320 for immediate assistance.

APPLICATION FACTS:

Liquid: _____ Temperature: _____

Flow Rate: _____ Lin

Size: _____

Operating Pressure: _____ Max Pressure: _____

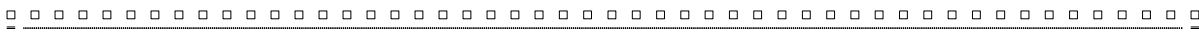
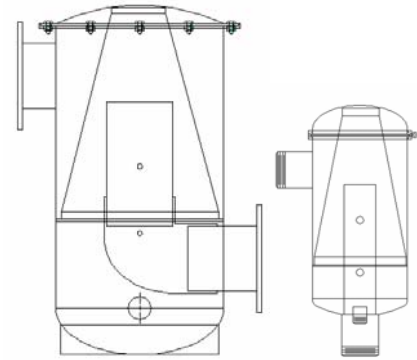
Particle size to be filtered: _____ Micron _____ Mesh

Particle Concentration: _____ Parts Per Million

Describe the particle (firm, soft, slimy, etc.): _____

System Operation: Continuous or Batch

Is there a filter/strainer currently being used on this application? If so, what product is being used and how is it performing? _____



Name _____ Title _____

Company _____ Phone _____

Address _____

City _____ State _____

Zip _____

**MILLER-LEAMAN, INC.
800 ORANGE AVENUE
DAYTONA BEACH, FL 32114**



**PHONE (386) 248-0500
WATTS (800) 881-0320
FAX (386) 248-3033**

PLEASE VISIT OUR WEB SITE AT WWW.MILLERLEAMAN.COM