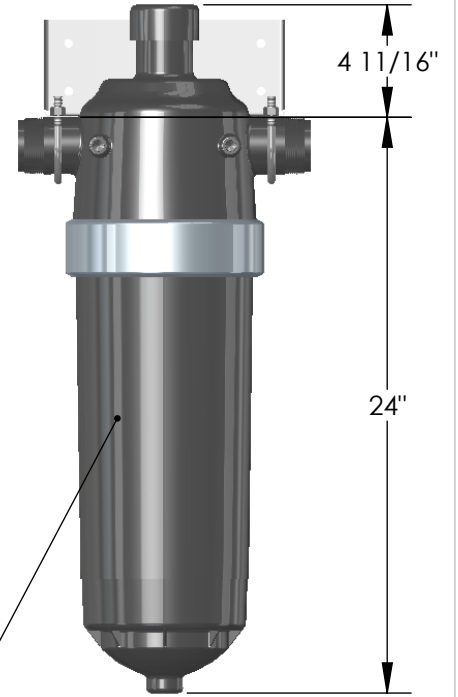
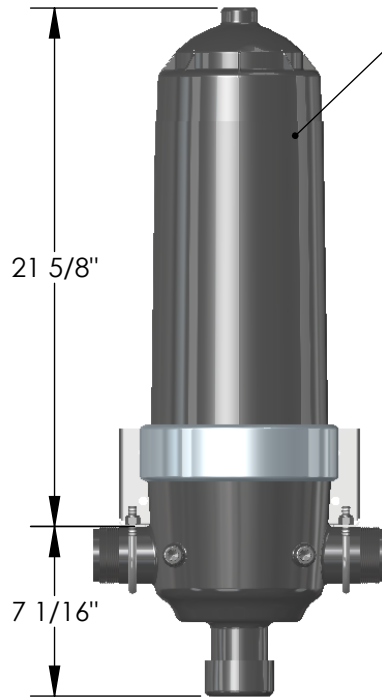
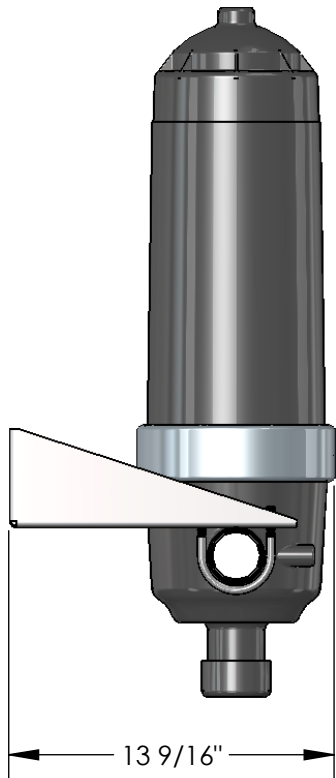


Filter Housing mounted to bracket in upright position. Housing shown for reference only.



Filter Housing mounted to bracket in standard position (flush port at bottom). Housing shown for reference only.



PRODUCT SPECIFICATION
MILLER-LEAMAN INC.
 800 Orange Ave. Daytona Beach FL 32114

DRAWN	S. Richards	9/5/03	TITLE
CHECKED			
ENG APPR.			
MKT APPR.			
SHT 1 of 1	Ref: ML20113-2	Rev: A	

Mounting Bracket, T304 SS
for 2" Super Helix
(MT-9102)