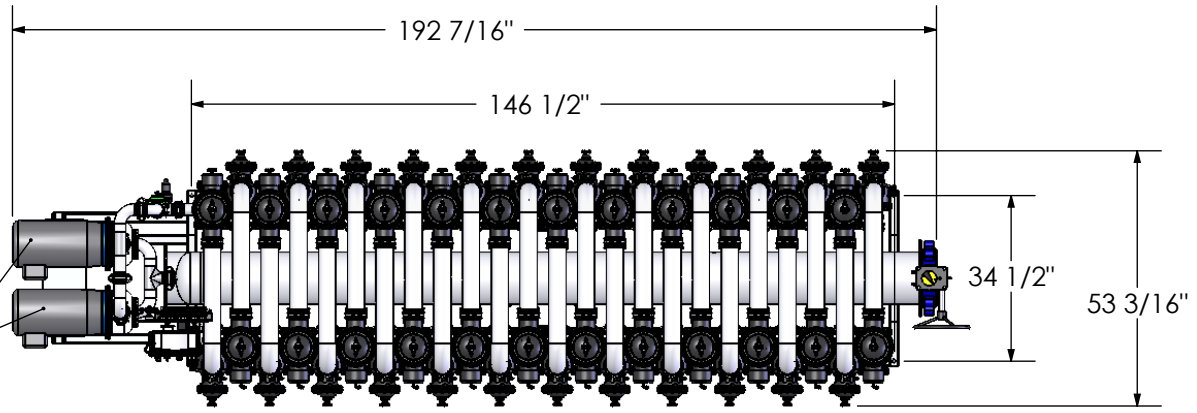


Booster Pumps (2)
7-1/2 HP Each



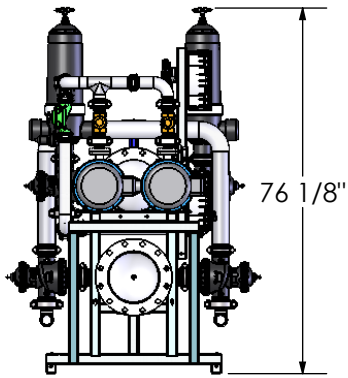
Controller / Pneumatic
Valve Manifold

ATD-3NV-50M (50 Micron)
POLYAMIDE HOUSING - 24 PLACES

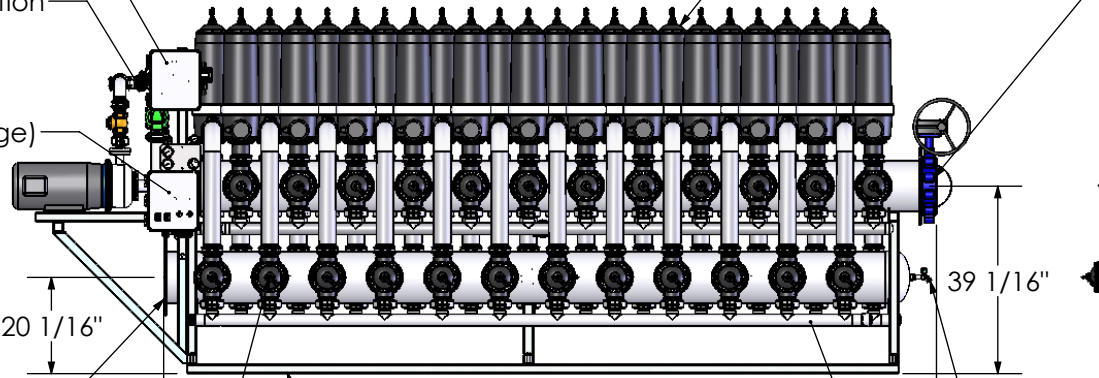
OUTLET, 10" Flanged
w/Lug Style
Butterfly Valve
& Gear Operator

Air Connection

System Power
Feed & Pump
Motor Starters
(Subject to Change)



76 1/8"



INLET, 10"
150LB FLANGE
304 Stainless

20 1/16"

148 1/2"

160 15/16"

39 1/16"

Drain Valve
w/Hose
Connection

3x3 Angle Flow Valves
Polyamide Housing
(48 Places)

Frame/Skid
304 Stainless

Backflush Manifold
2" NPT (m) Both ends
(2 End Caps Supplied)

SYSTEM REQUIREMENTS

Electrical: 460VAC/3PH/60Hz/21A
Air Line: 4CFM @ 80-100 PSI
Water Pressure: 10-25 PSI @Filter Inlet
Water Flow Rate: 500-1500 GPM

PRODUCT SPECIFICATION

MILLER-LEAMAN INC.

800 Orange Ave. Daytona Beach FL 32114

DRAWN	L.Brannan	9/15/09
CHECKED		
ENG APPR.		
MKT APPR.		

SHEET 1 OF 1

TITLE

Automatic Turbo-Disc
Filter Skid System
2B2H-ATD3(24)x10-50M-A-MOD1