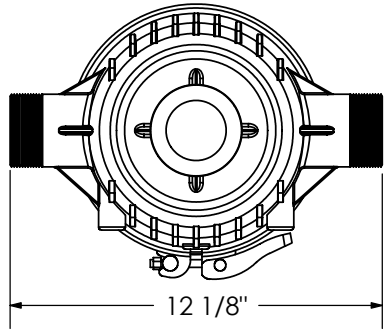
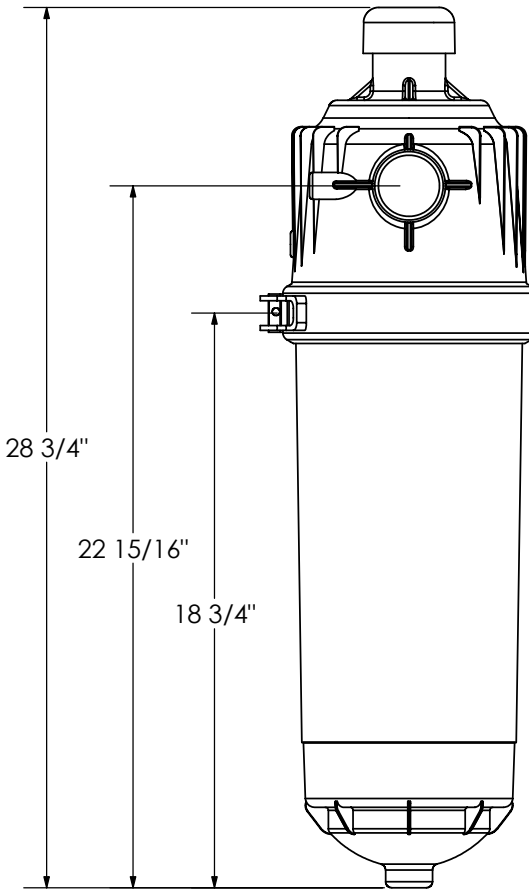
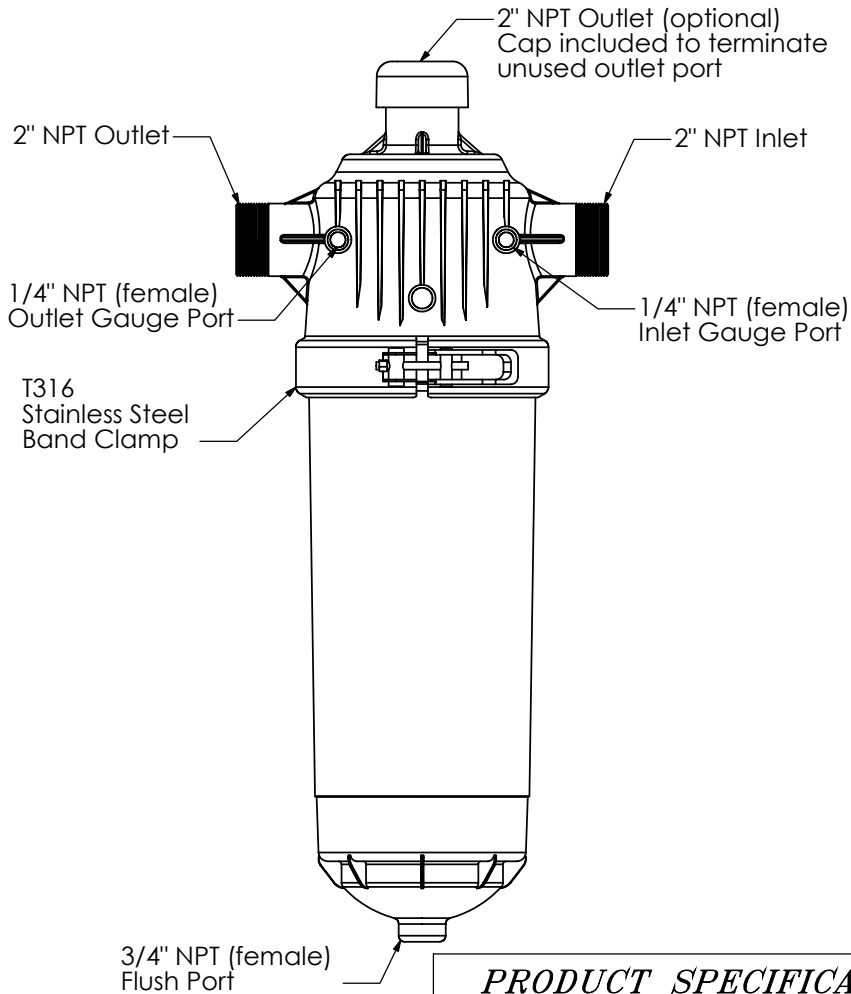


REVISIONS			
REV.	DESCRIPTION	DATE	APPROVED



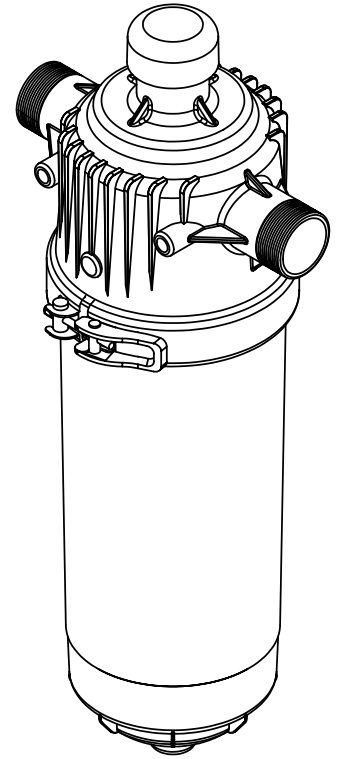
12 1/8"



28 3/4"

22 15/16"

18 3/4"



<b>PRODUCT SPECIFICATION</b>		DRAWN	S. Richards	9/26/03	TITLE
<b>MILLER-LEAMAN INC.</b>		CHECKED			
800 Orange Ave. Daytona Beach FL 32114		ENG APPR.			
		MKT APPR.			
		SHEET 1 OF 1			
					<b>2SA Helix Filter Housing</b>