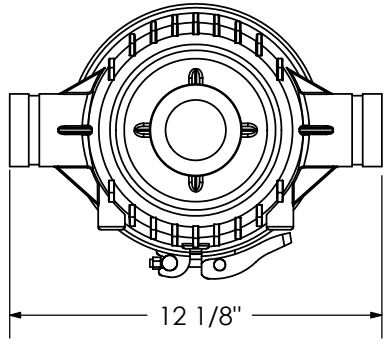
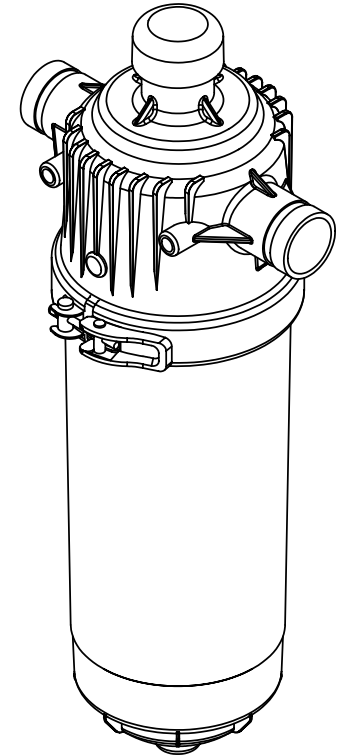
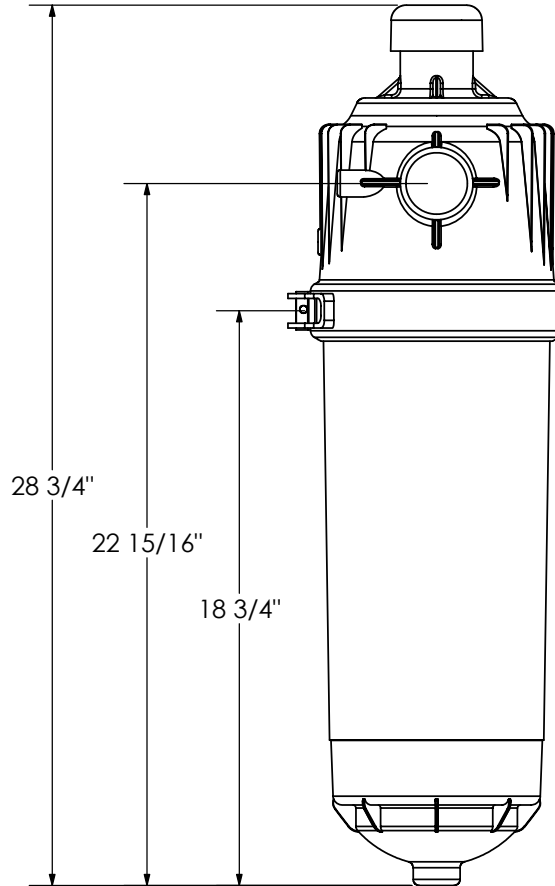
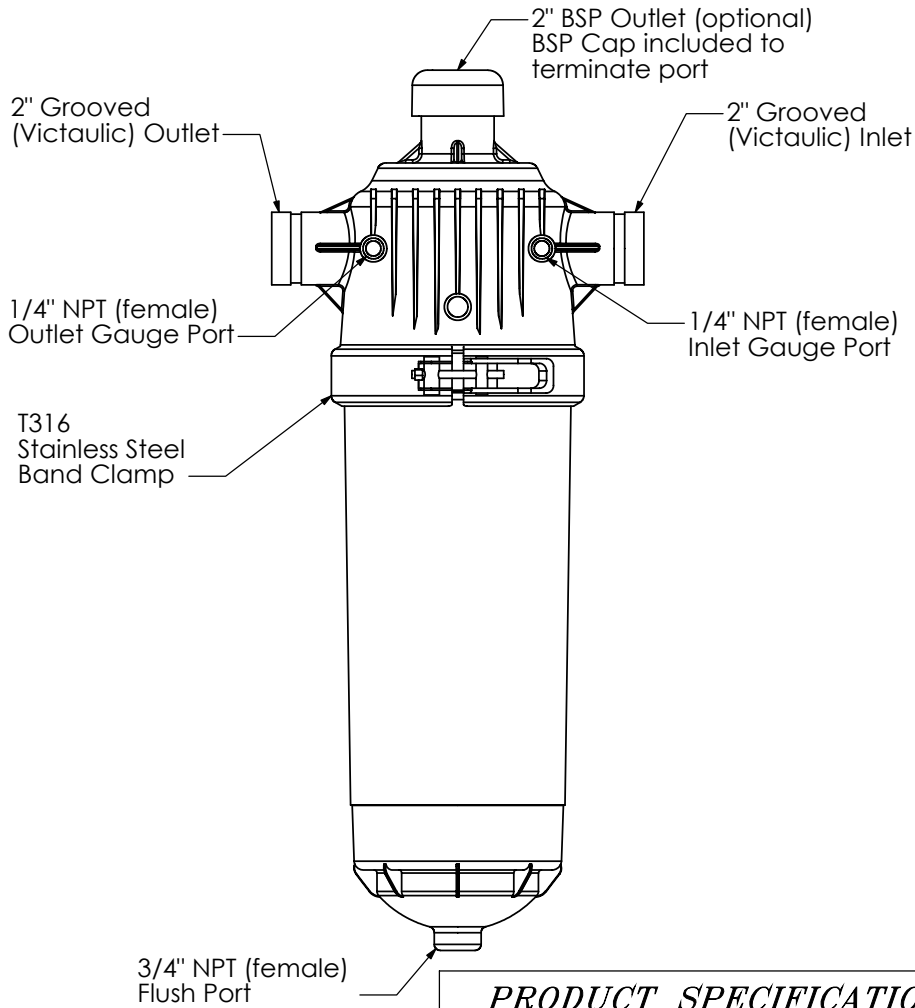


REVISIONS			
REV.	DESCRIPTION	DATE	APPROVED



12 1/8"



PRODUCT SPECIFICATION				DRAWN	S. Richards	9/26/03	TITLE
MILLER-LEAMAN INC. 800 Orange Ave. Daytona Beach FL 32114				CHECKED			
				ENG APPR.			
				MKT APPR.			
				SHEET 1 OF 1			

2SW Helix
Filter Housing