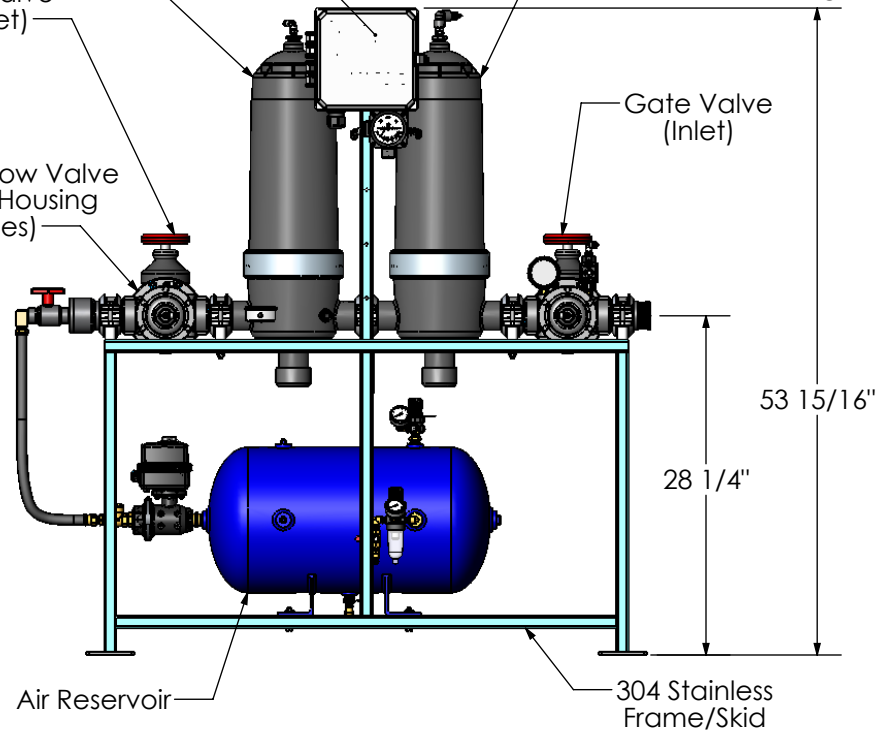


ATD2-2SW Water Reservoir Polyamide Housing
 Controller
 ATD-2SW-130 Filter (130 Micron) Polyamide Housing
 Gate Valve (Outlet)
 Differential Pressure Gauge
 2 x 2 Angle Flow Valve Polyamide Housing (2 Places)
 Gate Valve (Inlet)



SYSTEM REQUIREMENTS

Electrical: 115VAC/60Hz/2 Amps
 Air: 3 CFM @ 100-120 PSI
 Water Supply: 70 GPM Max.
 @ 60 PSI Max.

PRODUCT SPECIFICATION

MILLER-LEAMAN INC.

800 Orange Ave. Daytona Beach FL 32114

DRAWN	J. Larsen	10/16/08
CHECKED		
ENG APPR.		
MKT APPR.		

TITLE
 Single Pod Air-Assist
 Turbo-Disc Filter System
 AA-ATD2(1)x2-130M-A-MOD1