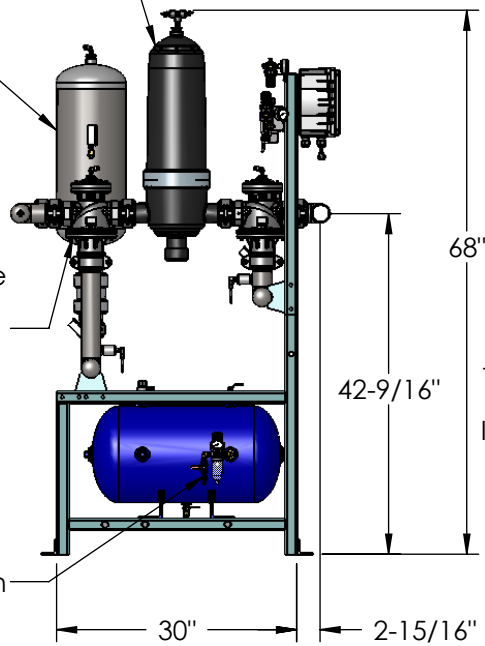


ATD-2SW-130 Filter  
(130 Micron)  
Polyamide Housing  
2 Places

Water Reservoir  
304 Stainless

2 x 2 Angle Flow Valve  
Polyamide Housing  
4 Places



Air Connection

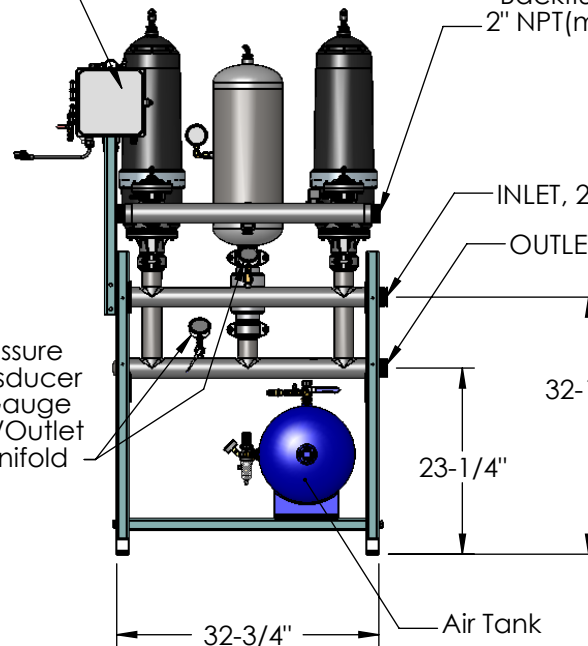
Controller/Pneumatic  
Valve Manifold

Backflush Manifold  
2" NPT(m) - Both Ends

Pressure  
Transducer  
& Gauge  
Inlet/Outlet  
Manifold

INLET, 2" NPT(f)

OUTLET, 2" NPT(f)

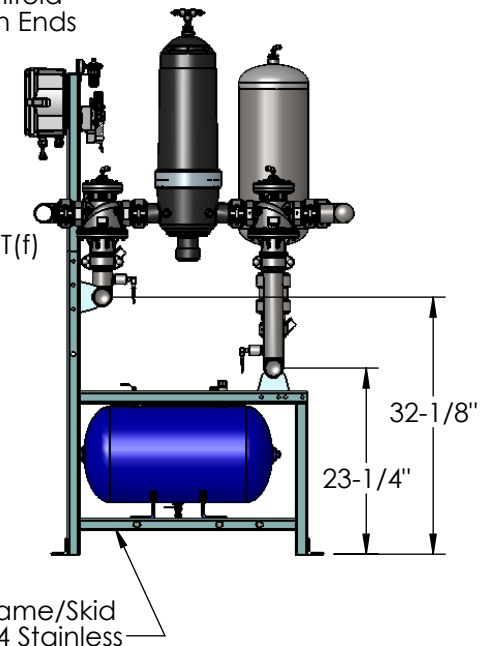


23-1/4"

32-1/8"

32-3/4"

Air Tank



32-1/8"

23-1/4"

Frame/Skid  
304 Stainless

**PRODUCT SPECIFICATION**

DRAWN	L.Brannan	10/24/12
CHECKED		
ENG APPR.		
MKT APPR.		
SHEET 1 of 1	Ref: ML21231-MOD3	Rev:---

**SYSTEM REQUIREMENTS:**  
Electrical: 115VAC (Standard Plug)  
Air Supply: 3 CFM Min @ 80-120 PSI  
Design Flow: 140 GPM Max  
Water Supply @ Inlet: 75 GPM Max  
Dry Weight: 325 lbs

TITLE:  
**2 Pod Air Assist  
Automatic Turbo Disc  
Filter Skid System  
AA-ATD2(2)x2-130M-A-MOD3**

**MILLER LEAMAN INC**

800 Orange Ave. Daytona Beach FL 32114