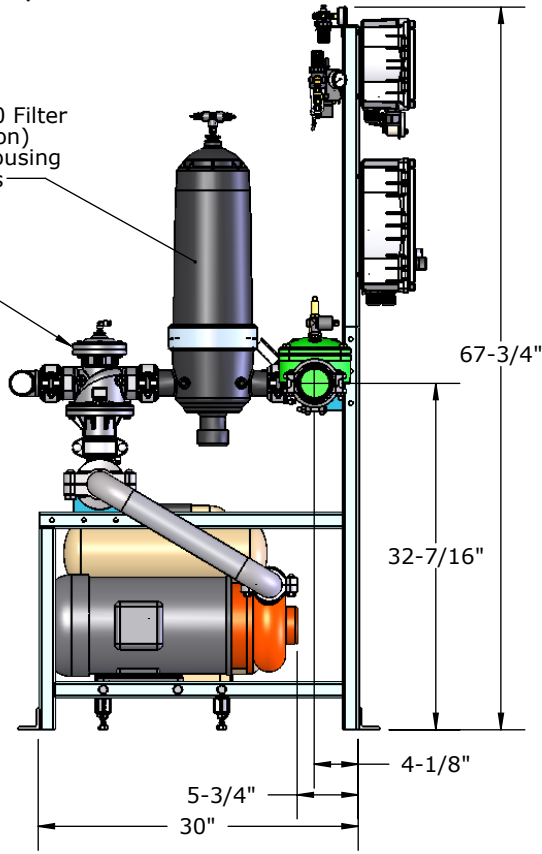
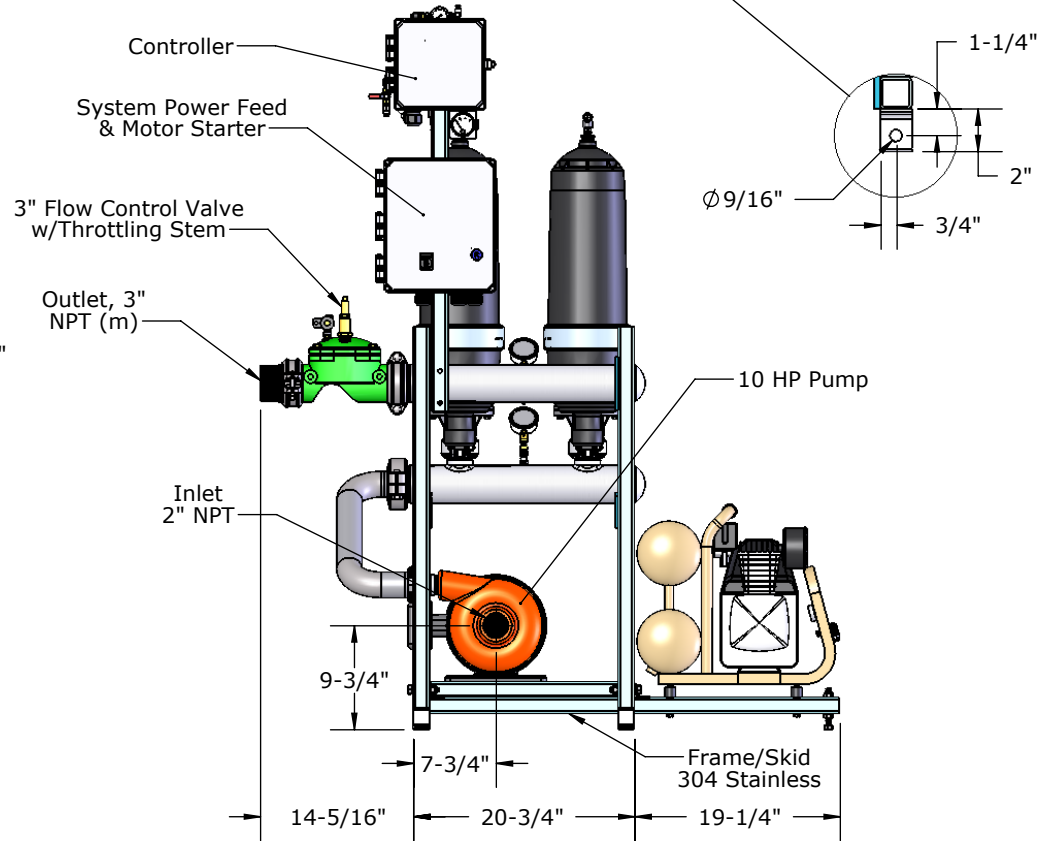
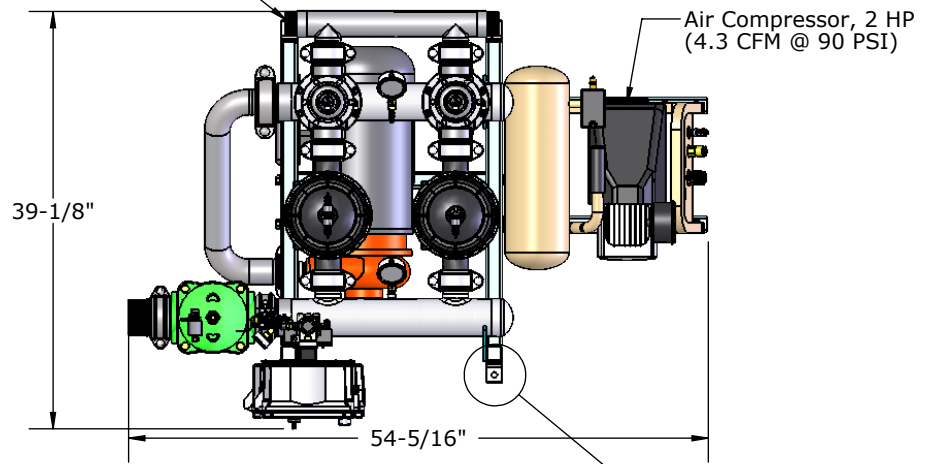


ATD-2SW-130 Filter
(130 micron)
Polyamide Housing
2 Places

2 x 2 Angle Flow
Valve, Polyamide
Housing, 2 Places



Backflush Manifold
2" NPT(m) - Both Ends



SYSTEM REQUIREMENTS

Electrical: 460VAC/60Hz/3Phase/14A
Compressor: 115VAC/60Hz/1Phase/14.5A
Water Pressure @ Pump Inlet: 0-25 PSI
Dry Weight: 470 lbs

PRODUCT SPECIFICATION

MILLER-LEAMAN INC.

800 Orange Ave. Daytona Beach FL 32114

DRAWN	L.Brannan	4/1/09
CHECKED		
ENG APPR.		
MKT APPR.		
SHEET 1 OF 1		Revision C

TITLE
Automatic Turbo-Disc
Filter Skid System
ATD2(2)x3-130M-P150-S3-AC