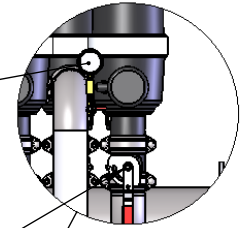


Pressure Gauge
& Drain Valve
Each Filter
(16 Places)



DETAIL A

ATD-3NV-100 Filter
(100 Micron)
Polyamide Housing
16 Places

3" Butterfly, Victaulic
Isolation Valves
2 Each Filter
(32 Total)

PLC Controller
& Pneumatic
Manifold

Air Connection

INLET, 10"
150 Lb. Flange
304 Stainless

OUTLET, 10"
150 Lb. Flange
304 Stainless

20-1/16"

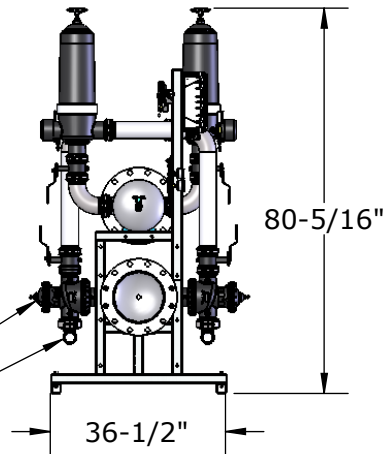
37-1/16"

4-3/4"

100-1/2"
Frame/Skid
304 Stainless

Drain Valve with
Hose connection
2 Places

3x3 Angle Flow,
Bermad USA, Valve
Polyamide Housing
16 Places



2" NPT(m) Backflush Manifold - 2 Places
Connections may be made at either end.
(2 threaded pipe caps are supplied)

SYSTEM REQUIREMENTS

Controller: 120 VAC/60Hz/1 Amp
(Standard Plug)
Air Supply: 4CFM Min. @ 80-100 PSI
Water Pressure: 65-125 PSI @ Filter Inlet
Water Flow Rate: 100-1600 GPM
Weight: 1900 Lbs.

PRODUCT SPECIFICATION

MILLER-LEAMAN INC.

800 Orange Ave. Daytona Beach FL 32114

DRAWN	L.Brannan	5/28/10
CHECKED		
ENG APPR.		
MKT APPR.		
SHEET 1 OF 1		

TITLE

**Automatic Turbo-Disc
Filter Skid System**
ATD3(16)x10-100M-A-MOD1
US Patent #6,419,826