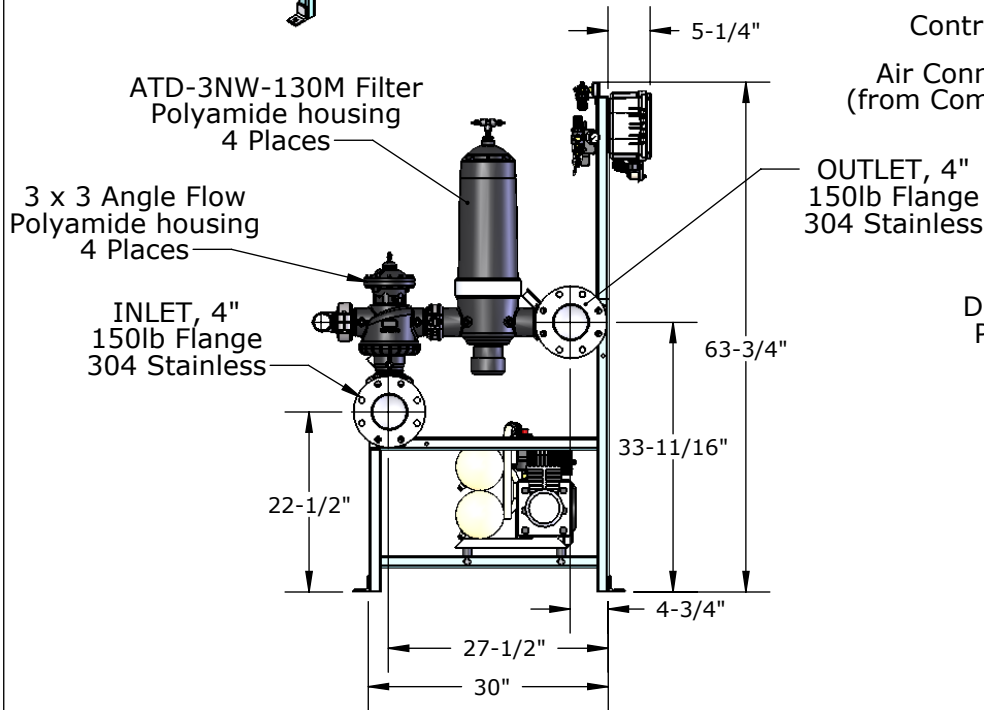
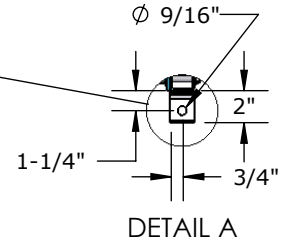
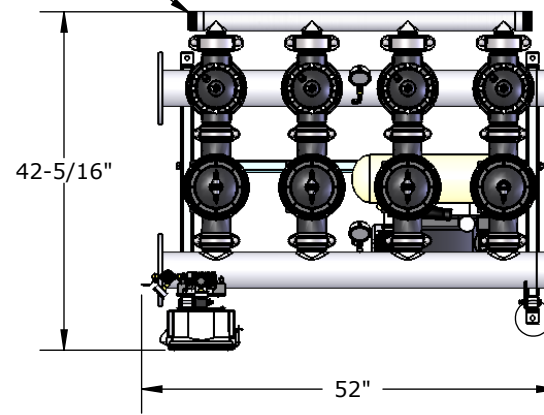
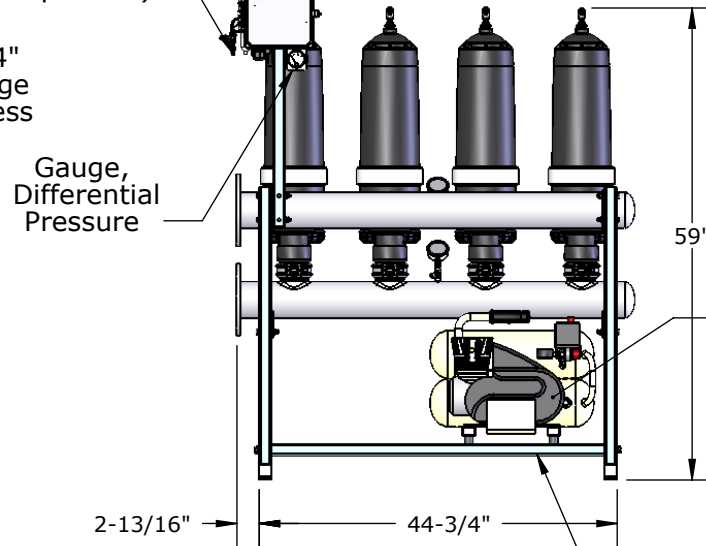


Backflush Manifold  
2" NPT (m)  
both ends



Controller, PLC  
Air Connection  
(from Compressor)



Air Compressor, 2-HP  
(4.3 CFM @ 90PSI)

Frame / Skid  
304 Stainless

**SYSTEM REQUIREMENTS**

**Electrical:**  
Controller: 120VAC/1Ph/60Hz/1A  
Compressor: 120VAC/1Ph/60Hz/15A

Supply Pressure: 65-125 PSI @ Inlet  
Flow Range: 50-400 GPM

**PRODUCT SPECIFICATION**

**MILLER-LEAMAN INC.**

800 Orange Ave. Daytona Beach FL 32114

DRAWN	L.Brannan	2/10/10
CHECKED		
ENG APPR.		
MKT APPR.		
SHEET 1 OF 1		

TITLE  
Automatic Turbo-Disc  
Filter Skid System  
ATD3(4)x4-130M-AC-MOD1