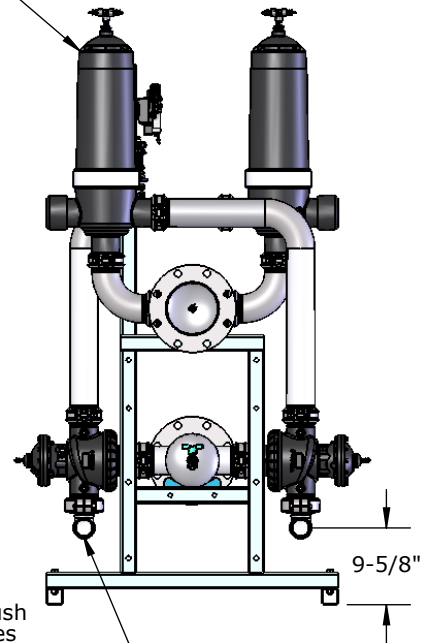


ATD-3NV-200 Filter
(200 Micron)
Polyamide Housing
4 Places

OUTLET,
6"-Flange, 150 lb
304 Stainless

Drain Valve /
Hose Bibb
Connection

2" NPT(m) Backflush
Manifold - 2 Places
Connections may be
made at either end.
(2 Threaded pipe caps are supplied)



SYSTEM REQUIREMENTS

Electrical: 120VAC/60Hz/1Ph/2 Amps
Air Supply: 2 CFM @ 80-100PSI
Water Supply @ Inlet: 65 min-140 PSI Max
Water Flow Rate: 320 GPM Max
Dry Weight: 450lbs

PRODUCT SPECIFICATION

MILLER-LEAMAN INC.

800 Orange Ave. Daytona Beach FL 32114

DRAWN	L. Brannan	10/29/10
CHECKED		
ENG APPR.		
MKT APPR.		
SHEET 1 OF 1		

TITLE
**Automatic Turbo-Disc
Filter Skid System
ATD3(4)x6-200M-A**