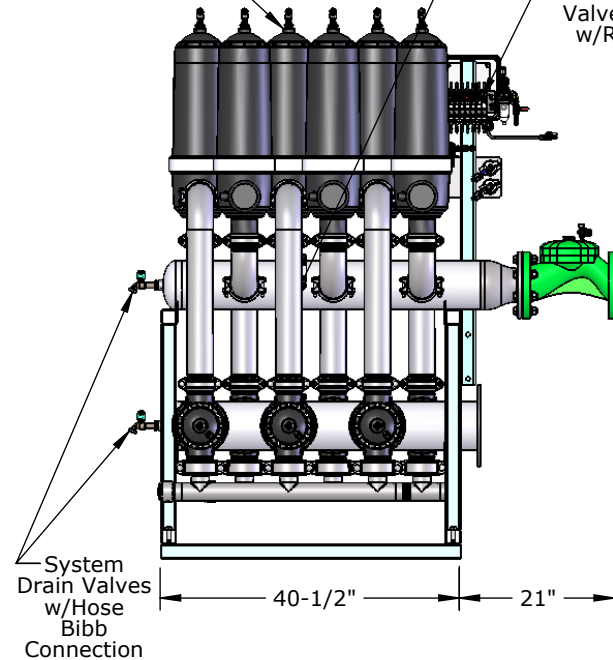


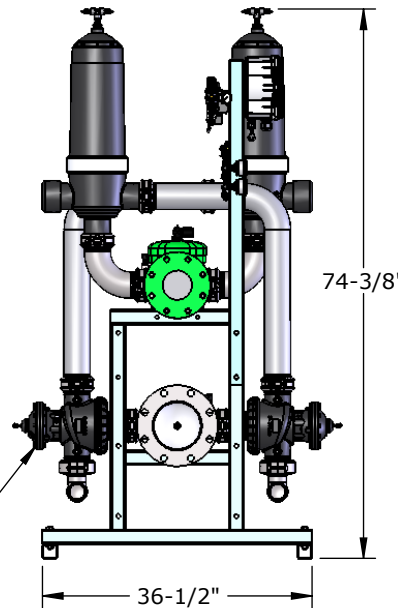
ATD-3NV-130M
(130 Micron)
Polyamide Housing
(6 Places)

Pressure Transducers
INLET / OUTLET
Manifold

Pneumatic
Valve Manifold
w/Regulator



3x3 Valves
Angle Flow
(6 Places)



Controller
Air Supply
Connection
w/1/4" Quick
Disconnect

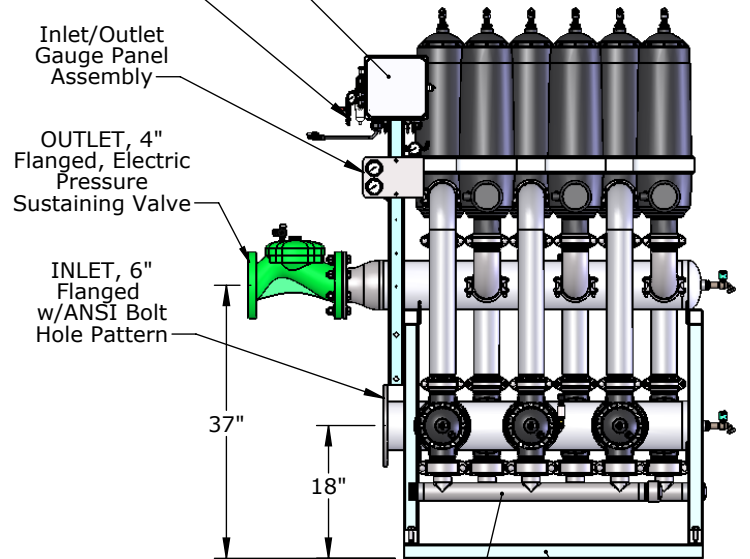
Inlet/Outlet
Gauge Panel
Assembly

OUTLET, 4"
Flanged, Electric
Pressure
Sustaining Valve

INLET, 6"
Flanged
w/ANSI Bolt
Hole Pattern

Backflush Manifold
2" NPT(m) Connections
may be made at either end
(2 Places, 2 End Caps Provided)

Frame/Skid
304 Stainless



PRODUCT SPECIFICATION



800 Orange Ave. Daytona Beach FL 32114

DRAWN	L.Brannan	2/22/13
CHECKED		
ENG APPR.		
MKT APPR.		
SHEET 1 of 1	Ref: ML21073-6F-MOD1	Rev:---

SYSTEM REQUIREMENTS:
Electrical: 120VAC/1 Ph/60Hz/1A (Std Plug)
Air Supply: 2 CFM @ 80-100 PSI
Supply Pressure @ Inlet: 65-125 PSI
Flow Range: 600 GPM Max
Dry Weight: 895 lbs

TITLE:
**Automatic Turbo Disc
Filter Skid System
ATD3(6)x6-130M-S4-A-MOD1**