

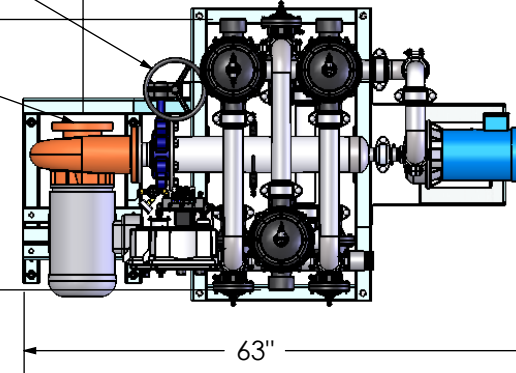
4" Flanged
Butterfly Valve
w/Gear Operator

13-5/8"

Pump INLET
3" Flange

33-13/16"

63"



Pneumatic Valve
Manifold

Controller

Supply Air
Connection

Gauge Panel
Inlet/Outlet
& Booster
Manifold

Pressure Transducers
Inlet/Outlet
Manifold

ATD-2SV-130 Filter
(130 Micron)
Polyamide Housing
3 Places

71-3/8"

System Power Feed
& Pump Motor
Starters

Booster Pump
2 HP

2 x 2 Angle Flow Valve
Polyamide Housing
6 Places

35-15/16"

OUTLET
4" Flange

10-15/16"

Main Pump
3 HP

System Drain
Hose Bibb
Connection

36-1/2"

Frame/Skid
304 Stainless

4-13/16"

22-1/2"

Backflush Manifold, 2" NPT(m)

PRODUCT SPECIFICATION

MILLER LEAMAN INC

800 Orange Ave. Daytona Beach FL 32114

DRAWN	J. Larsen	3/8/11
CHECKED		
ENG APPR.		
MKT APPR.		
SHEET 1 of 1	Ref: ML21136-3F	Rev: A

SYSTEM REQUIREMENTS:
Electrical: 460VAC/3Ph/60Hz/8A
Air Supply: 2CFM @ 80-100 PSI
Water Supply @ Inlet: 10-25 PSI
Dry Weight: 725 LBS

TITLE:

**Automatic Turbo Disc
Filter Skid System
B1-ATD2(3)x4-130M-P150-A**