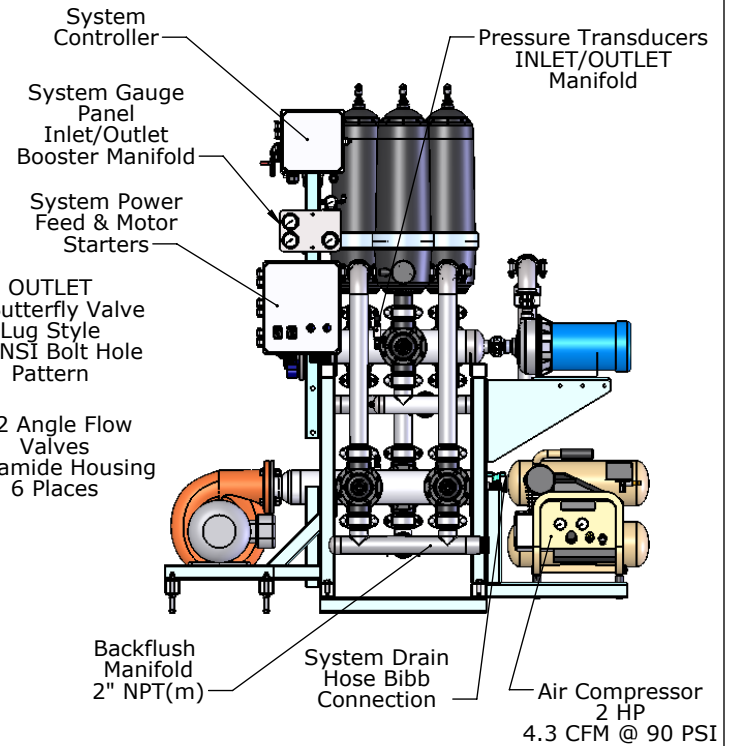
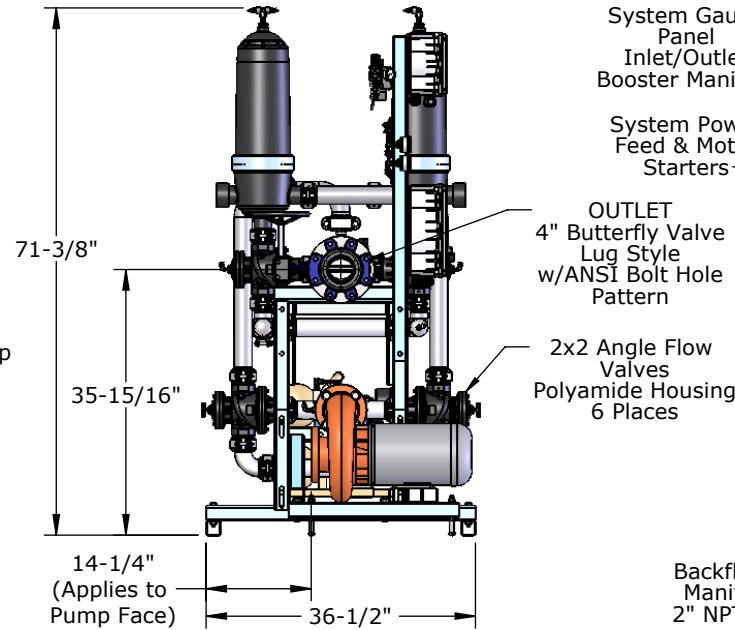
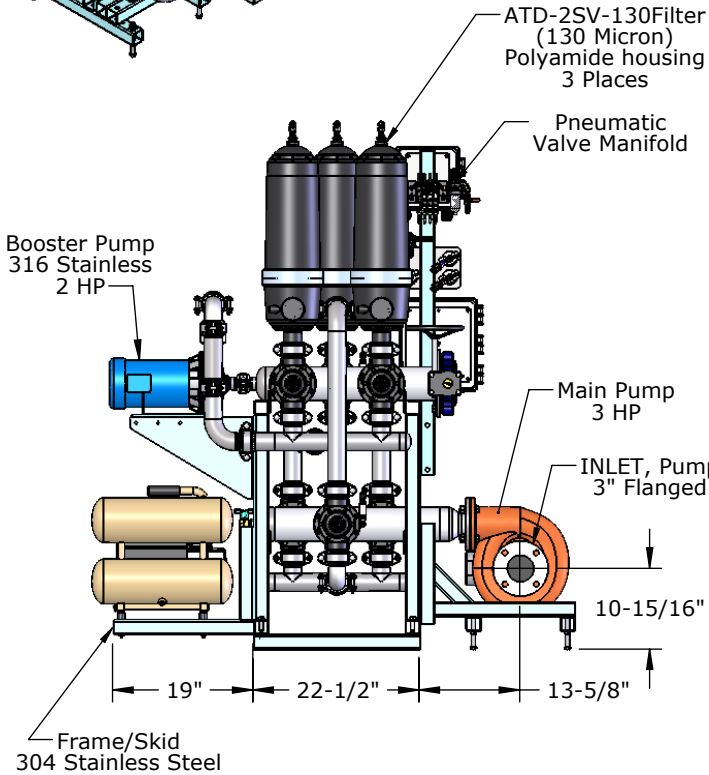
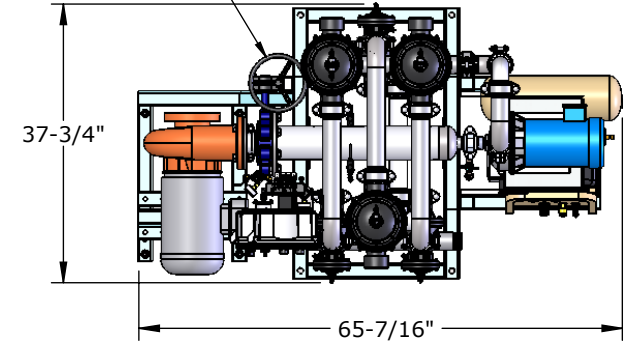


4" Butterfly Valve
w/Gear Operator



PRODUCT SPECIFICATION

MILLER LEAMAN INC

800 Orange Ave. Daytona Beach FL 32114

DRAWN	L.Brannan	9/22/12
CHECKED		
ENG APPR.		
MKT APPR.		
SHEET 1 of 1	REF#: ML21136-3F-MOD1	Rev: A

SYSTEM REQUIREMENTS:

Electrical: 575VAC/3 Phase/60Hz/8A
 Air Compressor: 120VAC/1 Phase/60Hz/15A
 Air Supply: 2 CFM @ 80-100 PSI
 Water Supply @ Inlet: 10-25 PSI
 Dry Weight: 735 lbs

TITLE:

**Automatic Turbo Disc
 Filter Skid System
 B1-ATD2(3)x4-130M-P170-AC-MOD1**