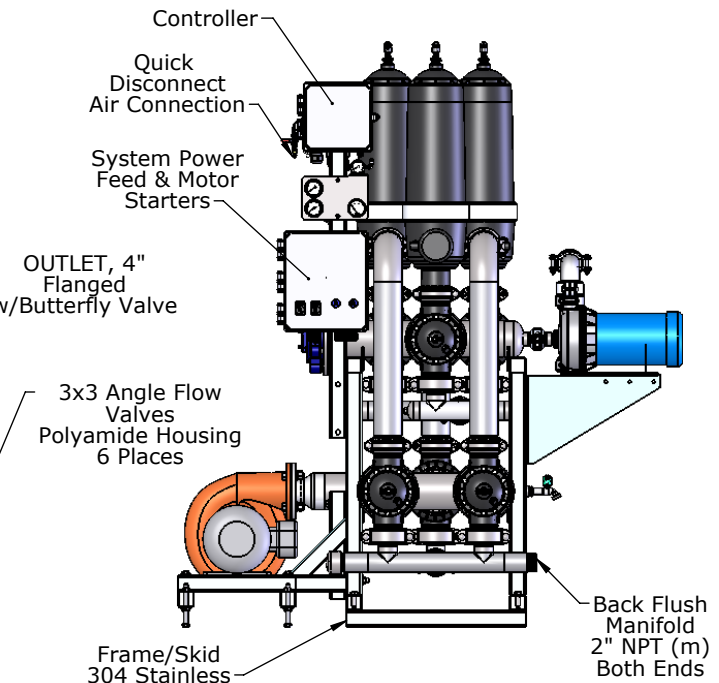
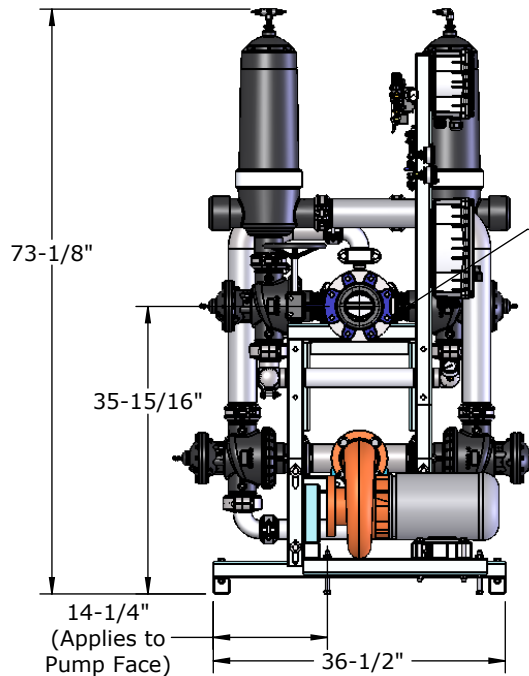
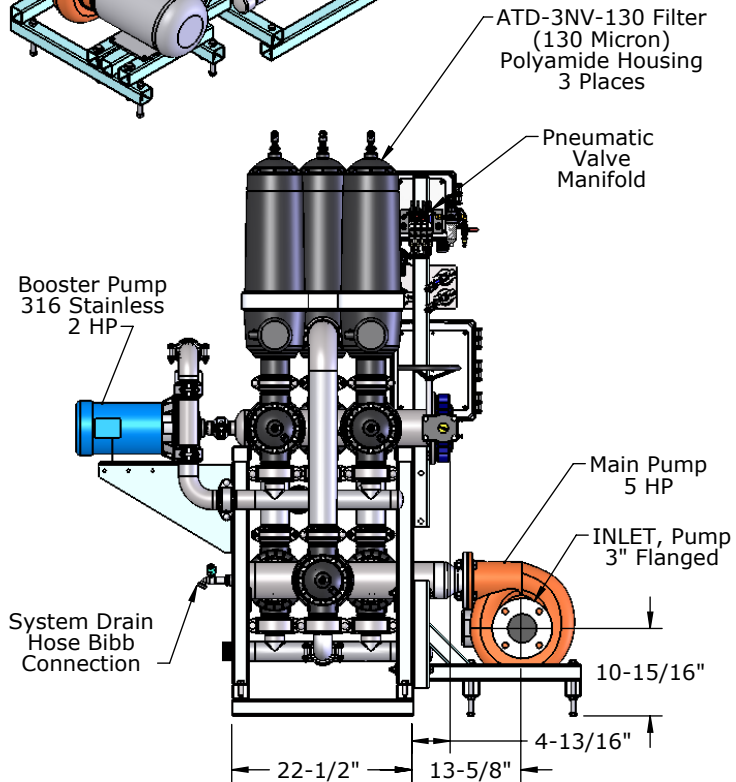
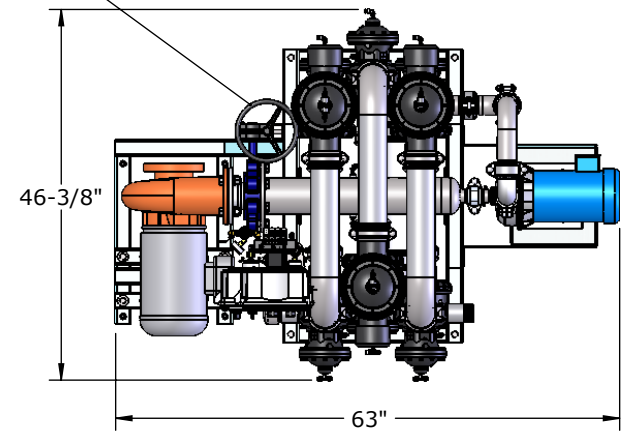


Gear Operated Butterfly Valve



PRODUCT SPECIFICATION

MILLER LEAMAN INC

800 Orange Ave. Daytona Beach FL 32114

DRAWN	L.Brannan	5/8/12
CHECKED		
ENG APPR.		
MKT APPR.		
MLI File #	ML21598-3D	SHEET 1 OF 1

SYSTEM REQUIREMENTS:

Electrical: 460VAC/3 Phase/60Hz/11A
 Air Supply: 2CFM @ 80-100 PSI
 Water Supply @ Inlet: 10-25 PSI
 Dry Weight: 940 lbs

TITLE:

Automatic Turbo-Disc
 Filter Skid System
 B1-ATD3(3)x4-130M-P300-A