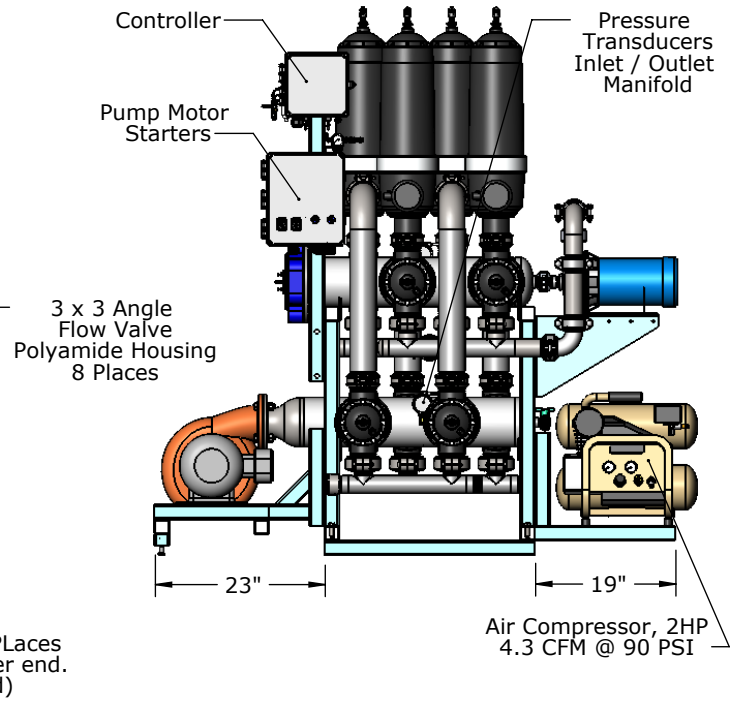
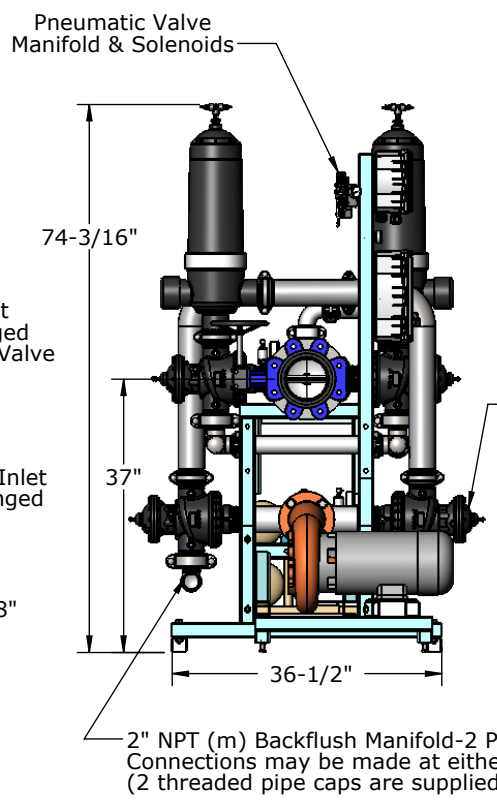
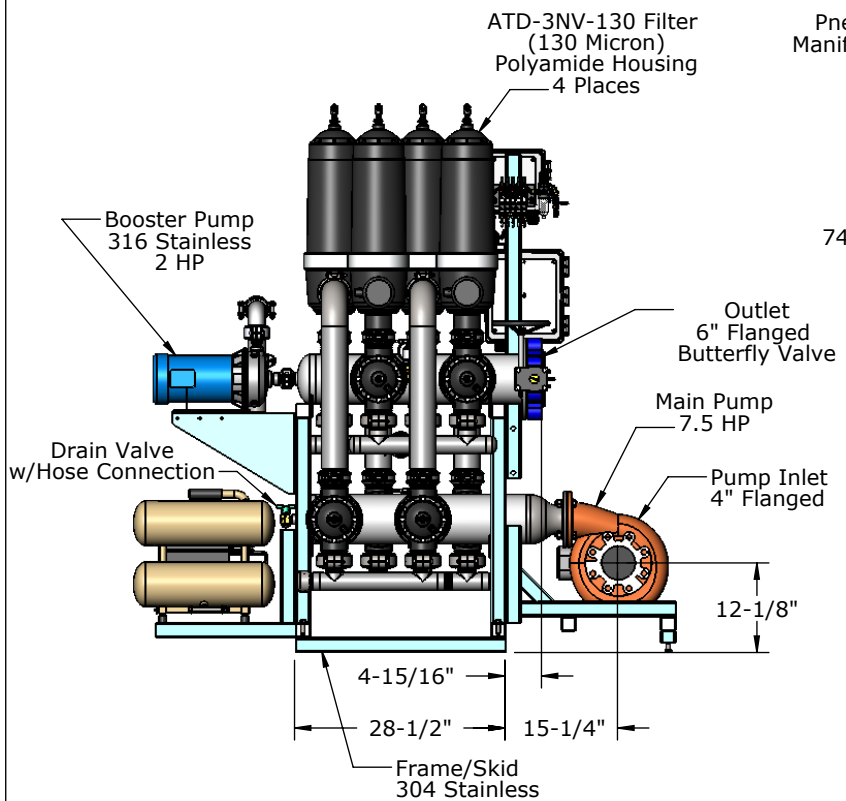
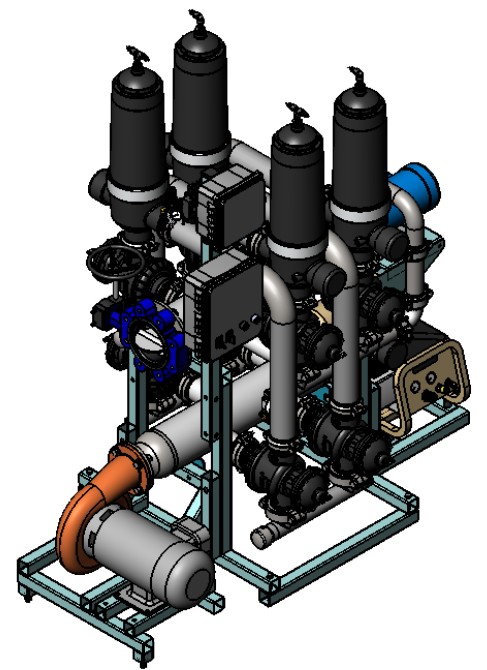


Gear Operated Butterfly Valve



PRODUCT SPECIFICATION



800 Orange Ave. Daytona Beach FL 32114

DRAWN	L.Brannan	11/20/12
CHECKED		
ENG APPR.		
MKT APPR.		
SHEET 1 of 1	Ref: ML21061-4D-MOD4	Rev:---

SYSTEM REQUIREMENTS:
 Electrical: 460VAC/3Ph/60Hz/14A
 Air Compressor: 115VAC/1Ph/60Hz/15A
 Water Supply @ Inlet: 10-25 PSI
 Dry Weight: 1250 lbs

TITLE:
Automatic Turbo Disc Filter Skid System
 B1-ATD3(4)x6-130M-P400-AC-MOD4