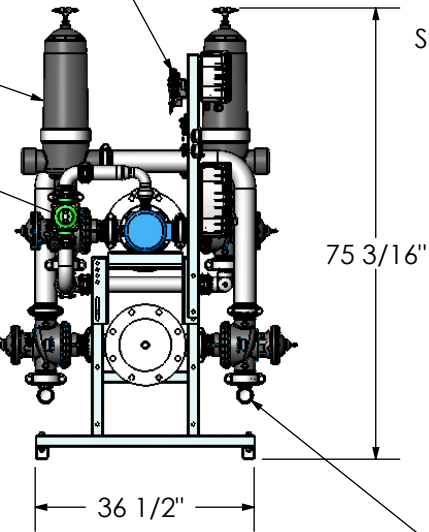


Pneumatic Valve Manifold

ATD-3NV-200 Filter  
(200 Micron)  
Polyamide Housing  
8 Places

Valve, Pressure  
Reducing

3x3 Angle Flow Valve  
Polyamide Housing  
16 Places

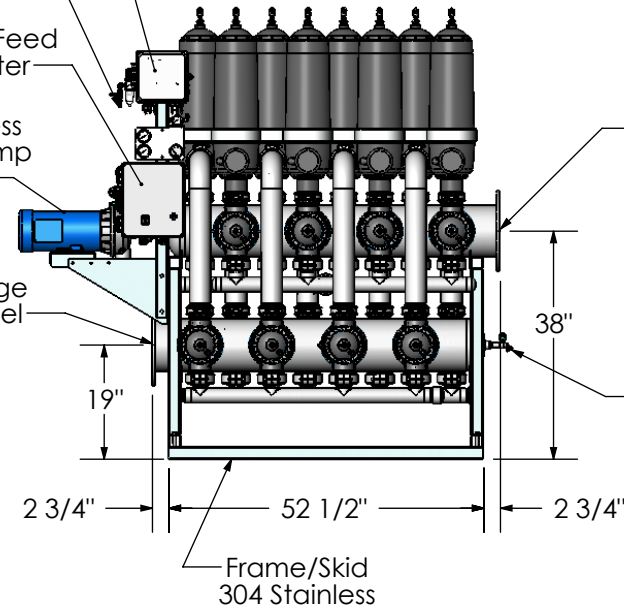


Controller  
Air Connection  
System Power Feed  
& Motor Starter  
316 Stainless  
Booster Pump  
5 HP

INLET, 8"  
150 Lb. Flange  
Stainless Steel

OUTLET, 8"  
150 Lb. Flange  
304 Stainless

Drain Valve with  
Hose Connection



Frame/Skid  
304 Stainless

2" NPT(m) Backflush Manifold - 2 Places  
Connections may be made at either end.  
(2 threaded pipe caps are supplied)

**SYSTEM REQUIREMENTS**

Electrical: 230VAC/1 Phase/60Hz/21A  
Air Supply: 2 CFM@80-100 PSI  
Water Supply Pressure: 25-80 PSI  
Water Flow Rate: 100-800 GPM  
Dry Weight: 1250 Lbs.

**PRODUCT SPECIFICATION**

**MILLER-LEAMAN INC.**

800 Orange Ave. Daytona Beach FL 32114

DRAWN	J. Larsen	11/4/08
CHECKED		
ENG APPR.		
MKT APPR.		

TITLE	Automatic Turbo-Disc Filter Skid System B1H-ATD3(8)x8-200M-A-MOD1
-------	-------------------------------------------------------------------------