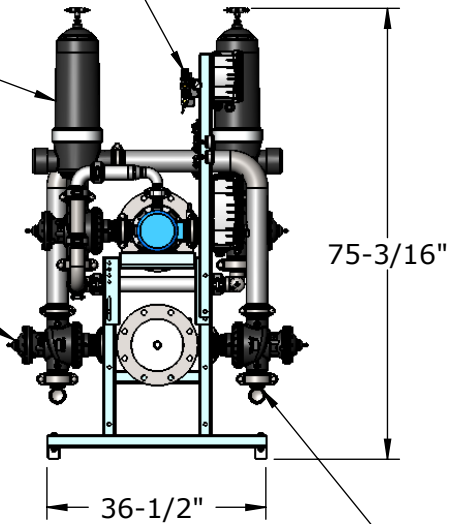


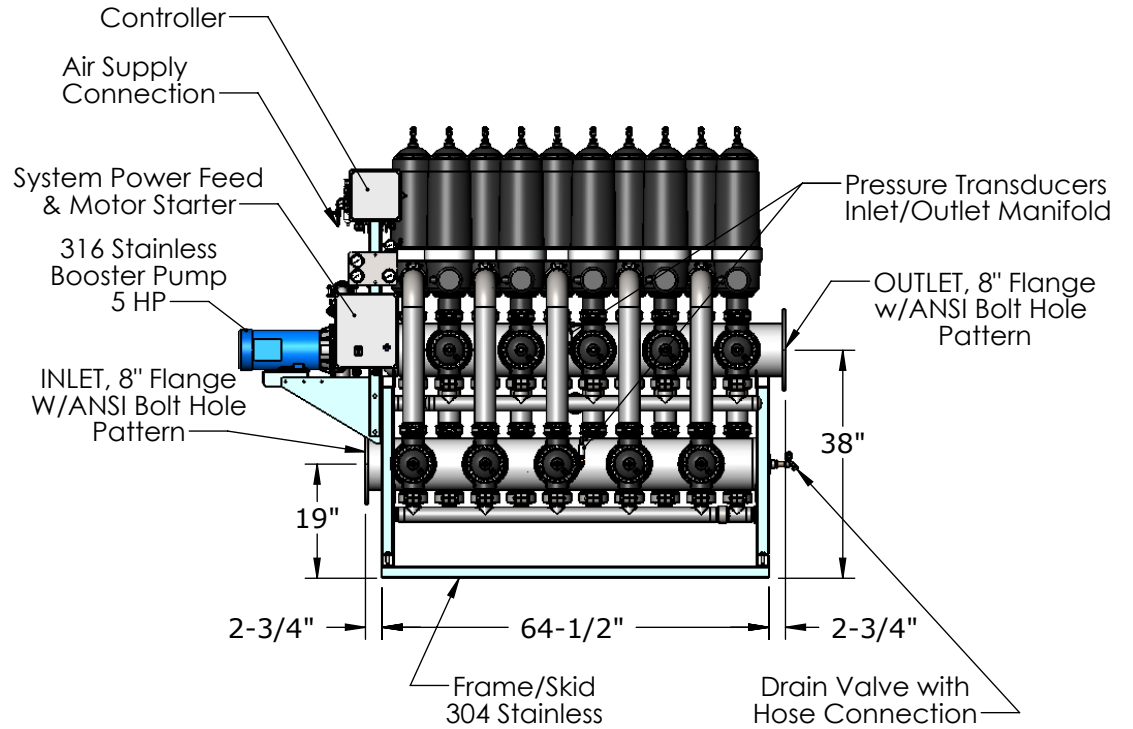
Pneumatic Valve Manifold

ATD-3NV-130 Filter
(130 Micron)
Polyamide Housing
10 Places

3x3 Angle Flow Valve
Polyamide Housing
20 Places



2" NPT(m) Backflush Manifold - 2 Places
Connections may be made at either end.
(2 threaded pipe caps are supplied)



PRODUCT SPECIFICATION

DRAWN	J. Larsen	1/10/11
CHECKED		
ENG APPR.		
MKT APPR.		
SHEET 1 of 1	Ref: ML21063-10A	Rev: A

SYSTEM REQUIREMENTS:
 Electrical: 460VAC/3Ph/60Hz/8A
 Air Supply: 4CFM @ 80-100 PSI
 Water Supply @ Inlet: 30-75 PSI
 Water Flow Rate: 1000 GPM Max.
 Dry Weight: 1425 lbs
 Max Pressure: 125 PSI. Max Temperature: 140°F

TITLE:
**AUTOMATIC TURBO DISC
 FILTER SKID SYSTEM
 B2-ATD3(10)x8-130M-A**