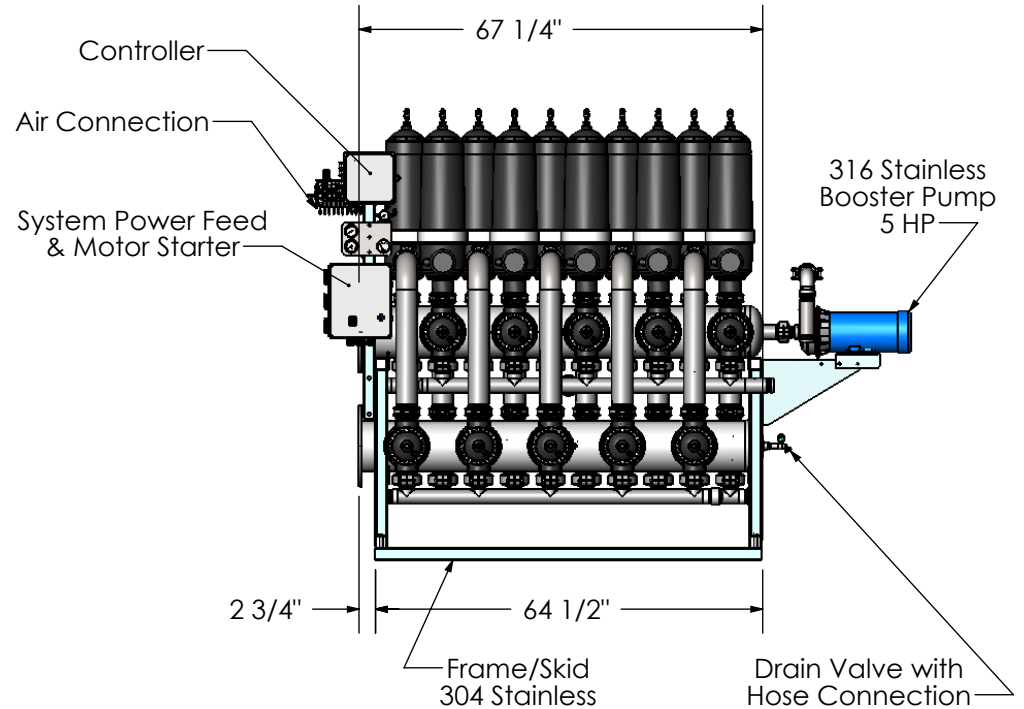


2" NPT(m) Backfush Manifold - 2 Places  
Connections may be made at either end.  
(2 threaded pipe caps are supplied)



**SYSTEM REQUIREMENTS**

Electrical: 460VAC/3 Phase/60Hz/8A  
Air Supply: 4 CFM@80-100 PSI  
Water Supply Pressure: 30-75 PSI  
Water Flow Rate: 100-800 GPM  
Dry Weight: 1425 Lbs.

**PRODUCT SPECIFICATION**

**MILLER-LEAMAN INC.**

800 Orange Ave. Daytona Beach FL 32114

DRAWN	J. Larsen	1/10/11
CHECKED		
ENG APPR.		
MKT APPR.		
SHEET 1 OF 1		

TITLE  
Automatic Turbo-Disc  
Filter Skid System  
B2-ATD3(10)x8-130M-A-MOD1