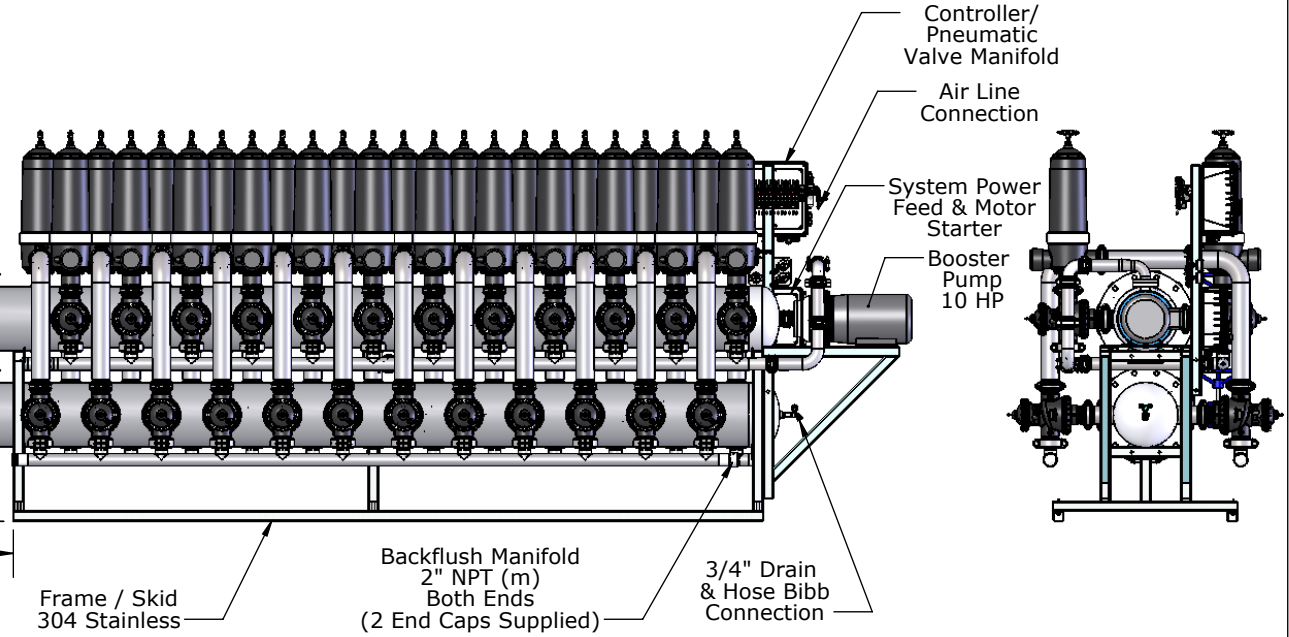
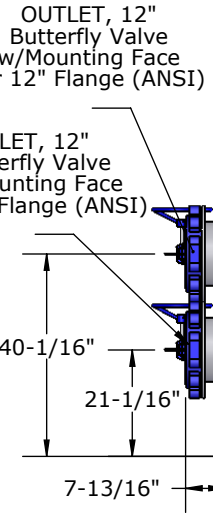
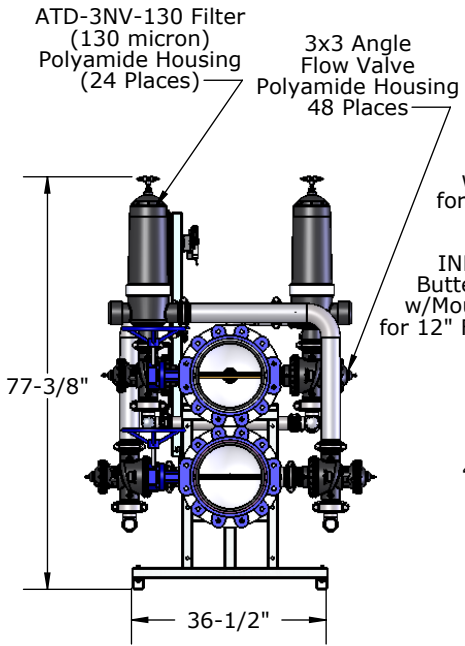
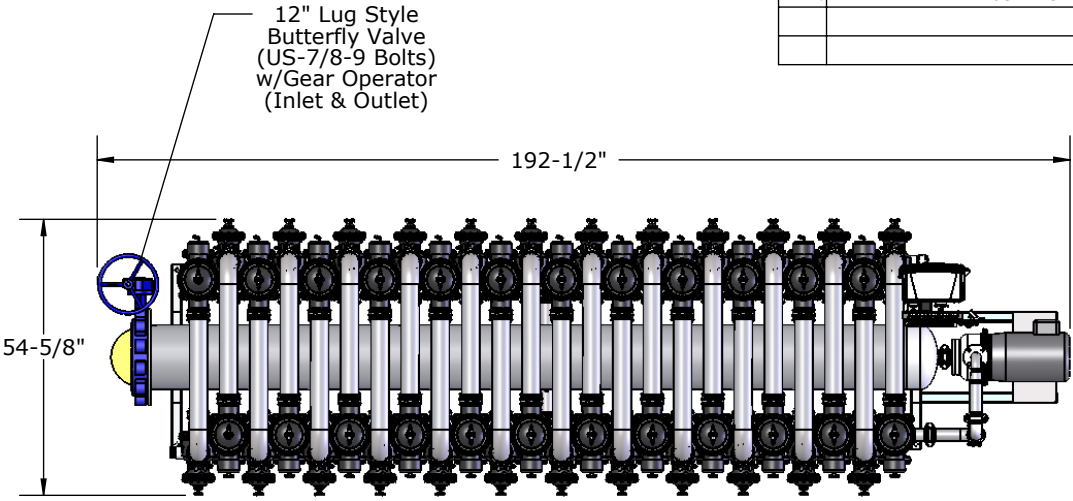
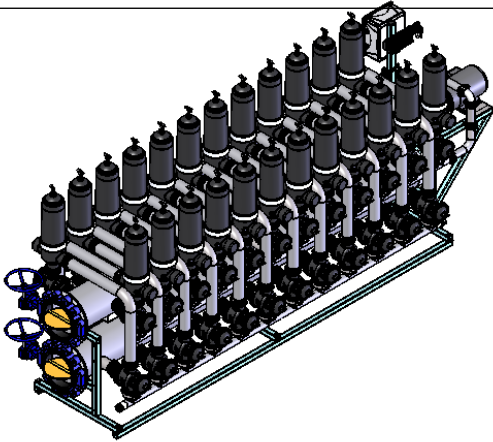


REVISIONS			
REV.	DESCRIPTION	DATE	APPROVED



SYSTEM REQUIREMENTS
 Electrical: 415VAC/3PH/50Hz/12A
 Air Line: 4CFM@80-100PSI
 (113-lpm @5.5-6.9 bar)
 Water Pressure @ Inlet: 10-40 PSI
 (.69-2.76 bar)
 Flow Range: 1500 - 2400GPM
 (5677- 9084-lpm)
 Dry Weight: 3100 lbs (1406 kg)

PRODUCT SPECIFICATION			
MILLER-LEAMAN INC.			
800 Orange Ave. Daytona Beach FL 32114			
DRAWN	L.Brannan	3/17/10	TITLE
CHECKED			
ENG APPR.			
MKT APPR.			
SHEET 1 OF 1			Automatic Turbo-Disc Filter Skid System B2H-ATD3(24)x12-130M-A-MOD1