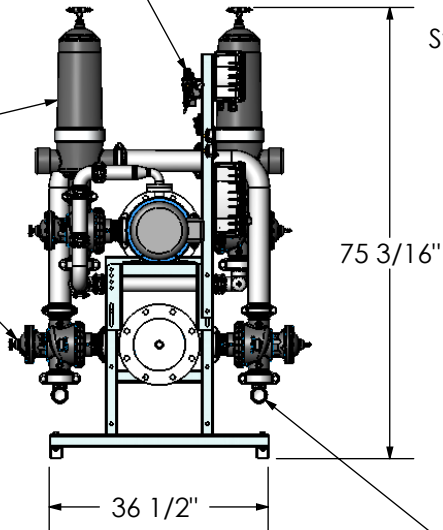


Pneumatic Valve Manifold

ATD-3NV-50 Filter
(50 Micron)
Polyamide Housing
8 Places

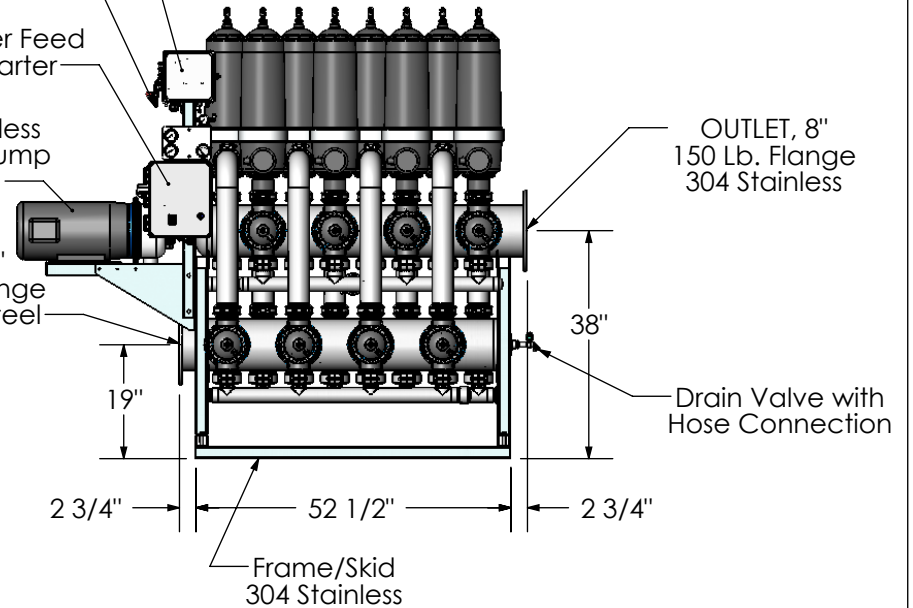
3x3 Angle Flow Valve
Polyamide Housing
16 Places



Controller
Air Connection
System Power Feed
& Motor Starter
316 Stainless
Booster Pump
7.5 HP

INLET, 8"
150 Lb. Flange
Stainless Steel

OUTLET, 8"
150 Lb. Flange
304 Stainless



2" NPT(m) Backfush Manifold - 2 Places
Connections may be made at either end.
(2 threaded pipe caps are supplied)

SYSTEM REQUIREMENTS

Electrical: 460VAC/3 Phase/60Hz/11A
Air Supply: 4 CFM@80-100 PSI
Water Supply Pressure: 35 PSI
Water Flow Rate: 100-800 GPM
Dry Weight: 1250 Lbs.

<i>PRODUCT SPECIFICATION</i>		DRAWN	L.Brannan	11/20/08	TITLE Automatic Turbo-Disc Filter Skid System B2H-ATD3(8)x8-50M-A
MILLER-LEAMAN INC. 800 Orange Ave. Daytona Beach FL 32114		CHECKED			
		ENG APPR.			
		MKT APPR.			
		SHEET 1 OF 1			