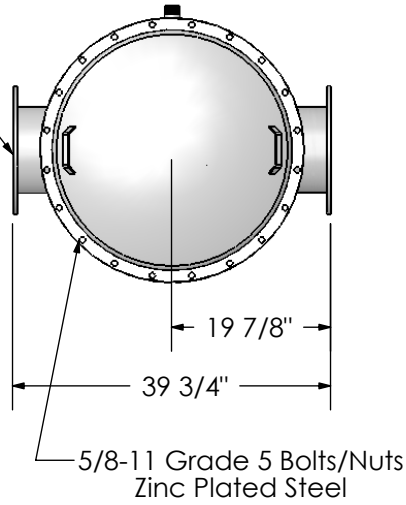


Serial Number Location



GENERAL SPECIFICATIONS:

- Maximum Flow: 2000 GPM (No minimum flow requirement)
- Maximum Pressure: 150 PSI (Higher pressure models are available).
- Not designed for Suction/Vacuum.
- Maximum Temperature: 135° F (Higher temperature models are available).
- Screen Surface Area 2434 Sq. In.

MATERIALS:

- Housing: 316 Stainless.
- Gasket: EPDM standard (other compounds available)
- Screen Mesh: 316 Stainless (1/4" perforated sheet backup).
- Perforated Sheet Screen Backup: 316 Stainless.

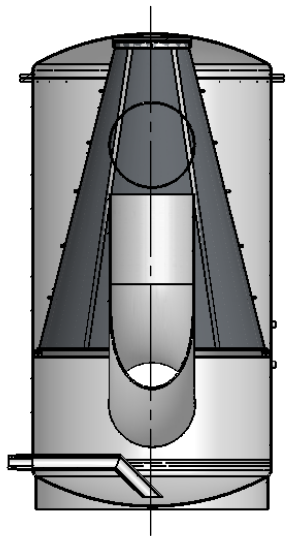
SCREEN OPTIONS:

- Multiple screen mesh and perforated sheet sizes available. (See product catalog for samples)

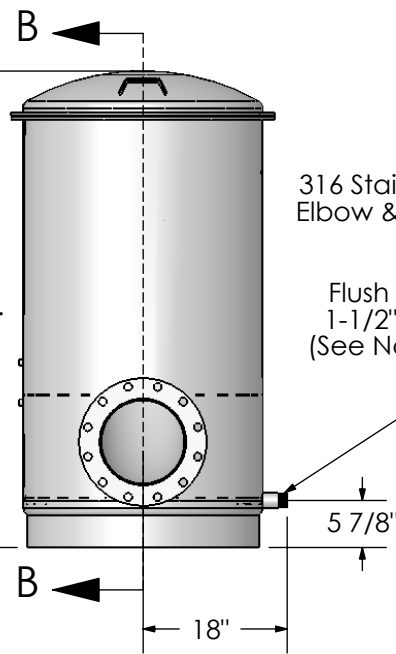
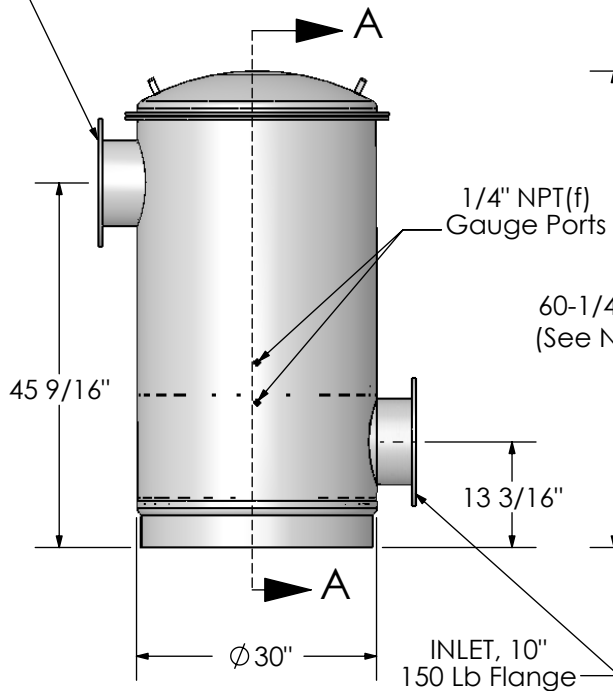
NOTES:

- 1- Flush Port is available in larger sizes. Bottom Flush Port is also available.
- 2- Dimensions are for informational purposes only and are subject to change.
- 3- 101" overall height required for filter element removal.

OUTLET, 10"
150 Lb Flange



SECTION A-A



Conical Filter Element
(See Specifications)

SECTION B-B

<p><i>PRODUCT SPECIFICATION</i></p> <p>MILLER-LEAMAN INC. 800 Orange Ave. Daytona Beach FL 32114</p>	DRAWN	J. Larsen	10/19/06	<p>TITLE</p> <p>TYPE 316 Thompson Strainer MLS-10-T316</p>
	CHECKED			
	ENG APPR.			
	MKT APPR.			
	SHEET 1 OF 1			