

**GENERAL SPECIFICATIONS:**

- Maximum Flow: 350 GPM (No minimum flow requirement)
- Maximum Pressure: 125 PSI (Higher pressure models are available)
- Maximum Temperature: 135° F (Higher Temperature models are available)
- Screen Surface Area 367 Sq. In.

**MATERIALS:**

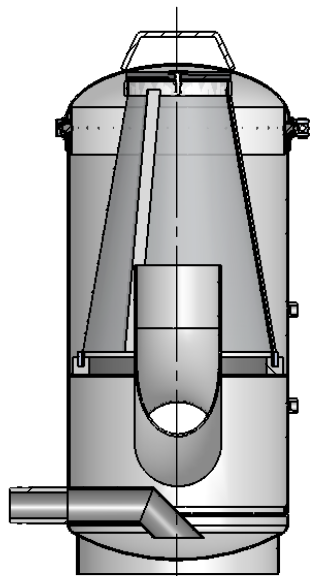
- Housing: 316 Stainless
- Gasket: EPDM standard (other compounds available)
- Screen Mesh: 316 Stainless
- Perforated Sheet Screen Backup: 316 Stainless
- Clamp: 301, 302, or 304 Stainless

**SCREEN OPTIONS:**

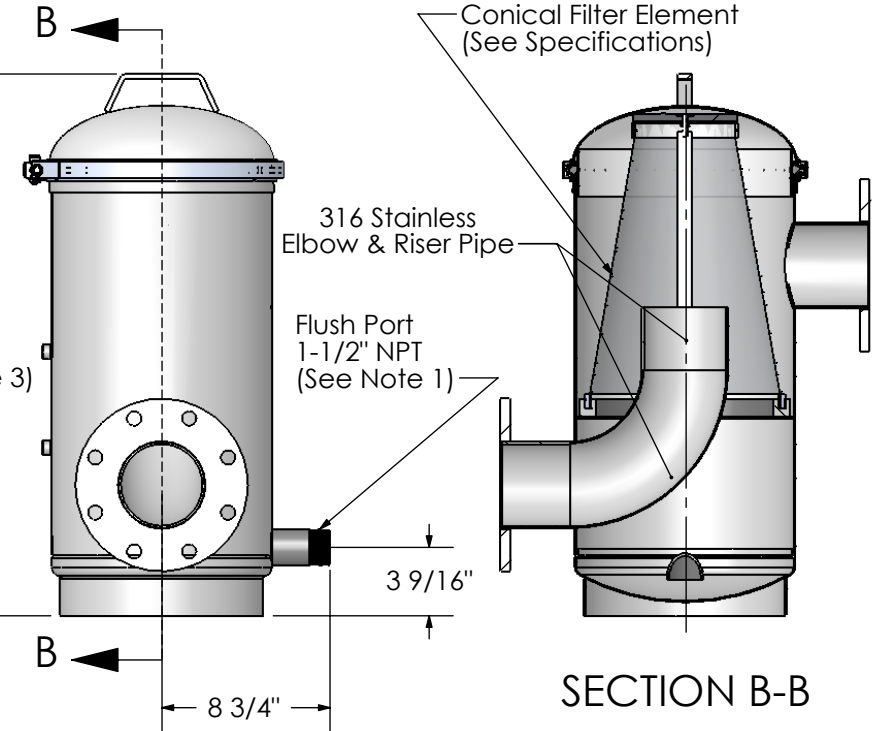
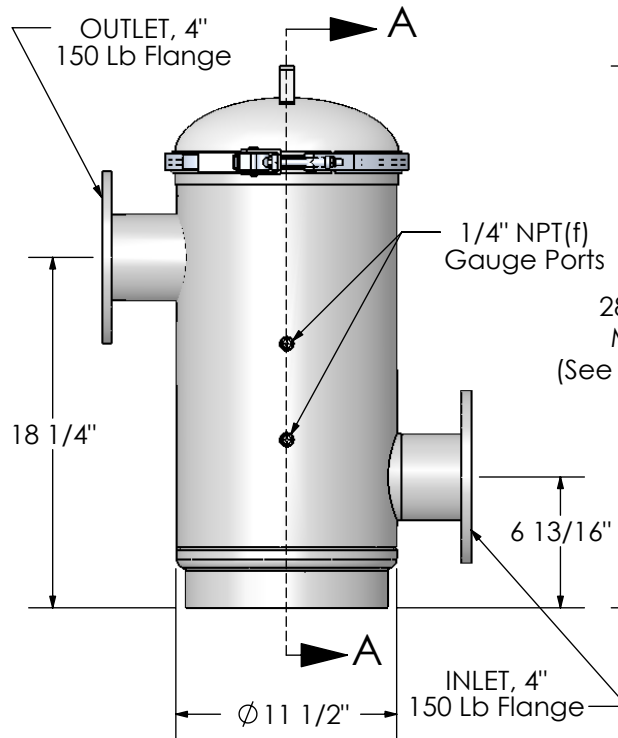
- Multiple screen mesh and perforated sheet sizes available. (See product catalog for samples)

**NOTES:**

- 1- Flush Port is available in other sizes and locations.
- 2- Dimensions are for informational purposes only and are subject to change.
- 3- 42" overall height is required for filter element removal.



SECTION A-A



SECTION B-B

<i>PRODUCT SPECIFICATION</i>	DRAWN	J. Larsen	1/3/04	TITLE <b>TYPE 316 Thompson Strainer MLS-4C-T316</b>
	CHECKED			
	ENG APPR.			
	MKT APPR.			
<b>MILLER-LEAMAN INC.</b> 800 Orange Ave. Daytona Beach FL 32114	SHEET 1 OF 1			